



PHANTOM

NIGHT VISION RIFLESCOPE

I N S T R U C T I O N S

ENGLISH / FRANÇAIS / DEUTSCH / ESPAÑOL / ITALIANO / РУССКИЙ

ENGLISH

● SPECIFICATIONS

MODEL #	76057BWT	76058BWT
MIL-DOT MODEL #	76157BWT	76158BWT

Optical characteristics:		
Magnification, x	3	4
Objective lens	50 mm, F/1.63	60 mm, F/1.68
Image intensifier tube, generation/type*	2+ (EPM66G-2-U-WPT)	2+ (EPM66G-2-U-WPT)
Resolution, lines/mm, min.	45	45
Eye relief, mm	50	50
Field of view, degree	11	9
Max. detection range, m**	600	700
Diopter setting, D	±3,5	±3,5
Close-up range, m	5	8
Adjustment per click, mm/100m	16,5	13,5

Operational characteristics:		
Battery type, voltage	1,5V (1xAA) or 3V (1xCR123A)	
Battery life with continuous use with IR off, hr (AA *** / CR123A)	15/24	15/24
Battery life with continuous use with IR on, hr (AA*** / CR123A)	5/8	5/8
Degree of protection, IP code (IEC60529)	IPX6	IPX6
Operating temperature range	-30 °C ... +40 °C	
Dimensions, mm / inch:		
Length	278 / 10.9	320 / 12.6
Width	95 / 3.7	95 / 3.7
Height	103 / 4	103 / 4
Weight without mount (approx.), kg / oz	1	1

* The riflescopes use these or similar electronic-optical intensifiers.

** Max. detection range of an object measuring 1.7x0.5 m in natural night conditions (0.05 lux, quarter moon).

*** We recommend using Alkaline batteries as they have a longer life.

For improvement purposes, design of this product is subject to change.

● PACKAGE CONTENTS

- Assembled riflescope
- Carrying case
- Remote control
- IR Illuminator
- User manual
- Warranty card

DEUTSCH

● TECHNISCHE DATEN

MODELL#	76057BWT	76058BWT
MODELL MIL-DOT#	76157BWT	76158BWT

Optische Kenndaten:		
Visuelle Vergrößerung, x	3	4
Objektiv	50 mm, F/1.63	60 mm, F/1.68
Generation/Typ der elektro-optischen Verstärkerröhre (EOV)*	2+ (EPM66G-2-U-WPT)	2+ (EPM66G-2-U-WPT)
Auflösungsvermögen, Linien/mm, min.	45	45
Austrittspupillenabstand, mm	50	50
Sichtfeldwinkel, Winkelgrad	11	9
Max. Entdeckungsdistanz, m**	600	700
Dioprien-Ausgleich, Dioprien	±3,5	±3,5
Naheinstellung, m	5	8
Verstellung pro Klick, mm/100m	16,5	13,5

Betriebsparameter:		
Typ der Batterien/ Betriebsspannung, V	1,5V (1xAA) oder 3V (1xCR123A)	
Betriebsdauer mit einem Batteriesatz, Stunden (IR-Leuchte ist ausgeschaltet) AA***/ CR123A	15/24	15/24
Betriebsdauer mit einem Batteriesatz, Stunden (IR-Leuchte ist eingeschaltet) AA***/ CR123A	5/8	5/8
Dichtheitsklasse, IP Kode (IEC60529)	IPX6	IPX6
Betriebstemperatur	-30 °C ... +40 °C	
Abmessungen, mm:		
Länge	278	320
Breite	95	95
Höhe	103	103
Gewicht (ungefähr), kg	1	1

* Statt dieser EOv können auch gleichartige EOv verwendet werden.

** Max. Entdeckungsdistanz von einem Objekt mit Abmessungen 1,7x0,5 m bei der natürlichen Nachtbeleuchtungsstärke 0,05 lx (1/4 Mond).

*** Es ist empfehlenswert, die Batterien AA "Alkaline" zu verwenden, da sie durch die längste Betriebsdauer charakterisiert werden.

Änderung des Designs zwecks höherer Gebrauchseigenschaften vorbehalten.

● LIEFERUMFANG

- Das Gerät komplett
- Aufbewahrungstasche
- Fernsteuerpult
- IR Leuchte
- Bedienungsanleitung
- Garantieschein

РУССКИЙ

● ТЕХНИЧЕСКИЕ ХАРАКТЕРИСТИКИ

МОДЕЛЬ#	76057BWT	76058BWT
МОДЕЛЬ MIL-DOT#	76157BWT	76158BWT

Оптические характеристики:		
Визуальное увеличение, x	3	4
Объектив	50 мм, F/1.63	60 мм, F/1.68
Поколение/Тип ЭОП*	2+ (ЭПМ66Г-2-У-ВРТ)	2+ (ЭПМ66Г-2-У-ВРТ)
Разрешение, линий/мм, минимум	45	45
Удаление выходного зрачка, мм	50	50
Угол поля зрения, угл. град.	11	9
Максимальная дистанция обнаружения, м**	600	700
Предел перефокусировки окуляра, дптр	±3,5	±3,5
Минимальная дистанция фокусировки, м	5	8
Цена клика, мм/на 100м	16,5	13,5

Эксплуатационные характеристики:		
Тип элементов питания/ Рабочее напряжение, В	1,5В (1xAA) или 3В (1xCR123A)	
Время непрерывной работы на одной батарее, час (ИК-подсветка выключена) AA***/ CR123A	15/24	15/24
Время непрерывной работы на одной батарее, час (ИК-подсветка включена) AA***/ CR123A	5/8	5/8
Класс защиты, код IP (IEC60529)	IPX6	IPX6
Рабочая температура	от -30 °C до +40 °C	
Габаритные размеры, мм:		
длина	278	320
ширина	95	95
высота	103	103
Масса без крепления (около), кг	1	1

* Вместо данного ЭОПА могут использоваться аналогичные.

** Максимальная дистанция обнаружения объекта размером 1,7x0,5 м при естественной ночной освещенности 0,05 лк (четверть луны).

*** Рекомендуется применять батареи типа AA "Alkaline", т.к. они характеризуются наибольшей продолжительностью работы.

Для улучшения потребительских свойств изделия в его конструкцию могут вноситься усовершенствования.

● КОМПЛЕКТ ПОСТАВКИ

- Прибор в сборе
- Чехол
- Пульт дистанционного управления
- ИК-осветитель
- Инструкция по эксплуатации
- Гарантийный талон

FRANÇAIS

● DONNÉES TECHNIQUES

MODÈLE#	76057BWT	76058BWT
MODÈLE MIL-DOT#	76157BWT	76158BWT

Caractéristiques optiques:		
Grossissement visuel, x	3	4
Lentille	50 mm, F/1.63	60 mm, F/1.68
Génération/type du convertisseur d'image électronique (CIE)*	2+ (EPM66G-2-U-WPT)	2+ (EPM66G-2-U-WPT)
Résolution, lignes/mm, min	45	45
Dégagement oculaire, mm	50	50
Angle du champ de vision, degrés	11	9
Distance de la détection max., m**	600	700
Ajustement de l'oculaire, dioptrie	±3,5	±3,5
Distance d'observation minimale, m	5	8
Correction par clic, mm/100m	16,5	13,5

Caractéristiques fonctionnelles:		
Type d'éléments d'alimentation / tension de fonctionnement, V	1,5V (1xAA) ou 3V (1xCR123A)	
Durée de fonctionnement continu avec une seule pile, h (l'éclairage infrarouge est arrêté) AA**/CR123A	15/24	15/24
Durée de fonctionnement continu avec une seule pile, h (l'éclairage infrarouge est marché) AA**/CR123A	5/8	5/8
Indice d'étanchéité, code IP (IEC60529)	IPX6	IPX6
Températures d'utilisation	-30 °C ... +40 °C	
Dimensions, mm:		
Longueur	278	320
Largeur	95	95
Hauteur	103	103
Poids sans fixation (approx.), kg	1	1

* Au lieu de ces convertisseurs d'image électroniques on peut utiliser les analogues CIEs.

** Distance de la détection max. du objet avec dimensions 1,7x0,5 m à l'éclairage nocturne naturel 0,05 lux (un quart de la lune).

*** Il est recommandé d'utiliser les batteries de type AA "Alkaline" puisque elles sont caractérisées par la plus grande durée de fonctionnement.

Le design de ce produit pourrait-être amené à changer, afin d'améliorer son utilisation.

● CONTENU DE L'EMBALLAGE

- L'appareil assemblé
- L'étui
- Le pupitre de commande à distance
- L'éclairage infrarouge
- Une carte de garantie
- Guide d'emploi

ITALIANO

● CARATTERISTICHE TECNICHE

MODELLO#	76057BWT	76058BWT
MODELLO MIL-DOT#	76157BWT	76158BWT

Caratteristiche della parte ottica:		
Magnificazione visuale, x	3	4
Obiettivo	50 mm, F/1.63	60 mm, F/1.68
Generazione/tipo di convertitore di immagine elettronica (CIE)*	2+ (EPM66G-2-U-WPT)	2+ (EPM66G-2-U-WPT)
Risoluzione lineare, linea/mm, min	45	45
Allontananza pupilla d'uscita, mm	50	50
Angolo visuale dell'obiettivo, grado	11	9
Distanza massima di localizzazione, m**	600	700
Limite fuocolare, diottria	±3,5	±3,5
Distanza minima d'osservazione, m	5	8
Regolazione per ogni click, mm/100m	16,5	13,5

Caratteristiche operative		
Cellula alimentazione/tensione nominale, V	1,5V (1xAA) o 3V (1xCR123A)	
Tempo di funzionamento continuo a batteria singola, ore (IR illuminazione disabilitata) AA**/ CR123A	15/24	15/24
Tempo di funzionamento continuo a batteria singola, ore (IR illuminazione abilitata) AA**/ CR123A	5/8	5/8
Grado di protezione, codice IP (IEC 60529)	IPX6	IPX6
Scala di temperatura	-30 °C ... +40 °C	
Dimensioni, mm:		
Lunghezza	278	320
Larghezza	95	95
Altezza	103	103
Peso senza attacco (circa), kg	1	1

* Il cannocchiale utilizza questi convertitori di immagine elettronica o CIE analoghi.

** Distanza massima di localizzazione di un oggetto di 1,7x0,5 m, all'illuminazione notturna 0,05 lux (luna quarto).

*** Si consiglia l'uso della batteria AA "Alkaline" per il periodo di funzionamento prolungato.

Caratteristiche e specifiche sono soggette a migliorie e cambiamenti.

● CONTENUTO DELLA CONFEZIONE

- Strumento assemblato
- Astuccio
- Telecomando
- IR illuminazione
- Manuale d'Uso
- Garanzia

ESPAÑOL

● ESPECIFICACIONES

MODELO#	76057BWT	76058BWT
MODELO MIL-DOT#	76157BWT	76158BWT

Características ópticas:		
Aumentos visuales, x	3	4
Objetivo	50 mm, F/1.63	60 mm, F/1.68
Generación/tipo del convertidor óptico-electrónico (COE)*	2+ (EPM66G-2-U-WPT)	2+ (EPM66G-2-U-WPT)
Resolución, líneas/mm, min	45	45
Alivio pupilar, mm	50	50
Ángulo del campo de vista, grados	11	9
Distancia máxima de observación con una iluminación nocturna natural de 0,05 lux (cuarto de Luna), m	600	700
Ajuste dióptrico, dioptrías	±3,5	±3,5
Distancia mínima de observación, m	5	8
Desplazamiento por click, mm/100m	16,5	13,5

Características de empleo:		
Tipos de elementos de alimentación / Tensión de funcionamiento, V	1,5V (1xAA) o 3V (1xCR123A)	
Tiempo de funcionamiento continuo con una batería, horas (foco infrarrojo apagado) AA**/ CR123A	15/24	15/24
Tiempo de funcionamiento continuo con una batería, horas (foco infrarrojo encendido) AA**/ CR123A	5/8	5/8
Grado de impermeabilidad, código IP (IEC60529)	IPX6	IPX6
Temperatura de trabajo	-30 °C ... +40 °C	
Dimensiones, mm:		
Largo	278	320
Ancho	95	95
Altura	103	103
Peso sin encofrado (aprox.), kg	1	1

* En vez de estos convertidores ópticos electrónicos se permite uso de COEs análogos.

** Distancia máxima de la detección de un objeto con dimensiones de 1,7x0,5 m bajo la iluminación nocturna natural de 0,05 lux (cuarto de Luna).

*** Se recomienda utilizar baterías del tipo AA "Alkaline", porque se caracterizan por su mayor duración de funcionamiento.

Con el fin de mejorar el diseño del producto, este puede estar sujeto a cambios.

● CONTENIDO DEL EMBALAJE

- Instrumento montado
- Estuche
- Tablero de control remoto
- Iluminador infrarrojo
- Instrucciones para su explotación
- Talón de garantía

2.2 $\frac{1.0}{\text{CR123}}$ ()

+/- 5,

30

4

($\frac{1.0}{\text{CR123}}$) 2.2

()

), (

(

● ТЕХНИЧЕСКОЕ ОБСЛУЖИВАНИЕ

● ИСПОЛЬЗОВАНИЕ ПУЛЬТА ДИСТАНЦИОННОГО УПРАВЛЕНИЯ

Phantom

- "ON" – / ()
- "IR" - / ()
- " " – ()

● ИСПОЛЬЗОВАНИЕ ТЕЛЕСКОПИЧЕСКОЙ НАСАДКИ NV 1,7x

NV 1,7x (#79091)

"Phantom"

50

1,7

● ИСПОЛЬЗОВАНИЕ ДОПОЛНИТЕЛЬНОЙ ПЛАНКИ WEAVER

Weaver (14),

Pulsar-805 (#79071).

● ХРАНЕНИЕ

● ВЫЯВЛЕНИЕ НЕИСПРАВНОСТЕЙ

PHANTOM Night vision riflescope

2-11

ENGLISH

Viseur de noctovision PHANTOM

12-21

FRANÇAIS

Nachtsichtzielfernrohr PHANTOM

22-31

DEUTSCH

Visor de visión nocturna PHANTOM

32-41

ESPAÑOL

Cannocchiale per visione notturna PHANTOM

42-51

ITALIANO

Прицел ночного видения PHANTOM

52-61

РУССКИЙ

● SPECIFICATIONS

MODEL #	76057T	76058T	76067T	76068T
MIL-DOT MODEL#	76157T	76158T	76167T	76168T
Optical characteristics				
Magnification, x	3	4	3	4
Objective lens, mm	50 mm, F / 1.63 60 mm, F / 1.68 50 mm, F / 1.63 60 mm, F / 1.68			
Image intensifier tube, generation	2+	2+	2+	2+
Image intensifier tube, type	EPM221G-00-11 *	DEP 1441*	DEP 1441*	DEP 1441*
Resolution, lines/mm, min.	45	45	45	45
Eye relief distance, mm	50	50	53	53
Field of view, deg/m	11/20	9/15.7	13/23	11/19
Maximum detection range, m/yd**	600/656	700/765	600/656	700/765
Diopter setting, D	±3.5	±3.5	±2.5	±2.5
Close-up range, m	5	8	5	8
Operational characteristics				
Battery type, voltage	1.5V (1xAA) or 3V (1xCR123A)			
Battery life with continuous use with IR off, hr (AA** / CR123)	15/24	15/24	15/24	15/24
Battery life with continuous use with IR on, hr (AA** / CR123)	5/8	5/8	5/8	5/8
Degree of protection, IP code (IEC 60529)	IPX6	IPX6	IPX6	IPX6
Operating temperature range	-30 ° to +40 ° / -22 °F to +104 °F			
Dimensions, mm / inch:				
Length	278/11	320/12.5	257/10.1	288/11.3
Width	95/3.7	95/3.7	95/3.7	95/3.7
Height	103/4	103/4	103/4	103/4
Weight without the mount, kg / oz	»1.0/35.2	»1.0/35.2	»1.0/35.2	»1.0/35.2
Compatibility with NV 1.7x Lens Converter	Yes	No	Yes	No

* The riflescopes use these or similar electronic-optical intensifiers.

** Max. detection range of an object measuring 1.7x0.5 m in natural night conditions (0.05 lux, quarter moon).

*** We recommend using Alkaline batteries as they have a longer life.

For improvement purposes, design of this product is subject to change.

● PACKAGE CONTENTS

- Assembled riflescope
- Carrying case
- Remote control
- User manual
- Warranty card

$$\frac{(\quad)}{(\quad)} \times 1000 = (\quad)$$

$$\frac{(\quad)}{(\quad)} \times 10 = (\quad)$$

$$\frac{(\quad)}{(\quad)} \times 1000 = (\quad)$$

$$\frac{40}{2} \times 10 = \frac{400}{2} = 200$$

$$0,527 \text{ MOA} (\quad);$$

$$0,5519''/100$$

$$1,533 \text{ } /100$$

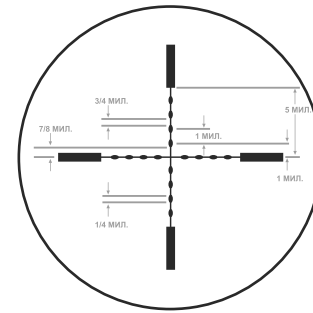
Phantom 3x50:

$$0,4235 \text{ MOA};$$

$$0,4435''/100$$

$$1,232 \text{ } /100$$

Phantom 4x60:



$$\frac{1}{100} = 10 \cdot \frac{1}{36} \cdot \frac{100}{1000} ; 1 = 3,6$$

$$\frac{1}{1} = 1000 \cdot \frac{1}{36} = 3,4377 \text{ MOA}$$

Mil-Dot

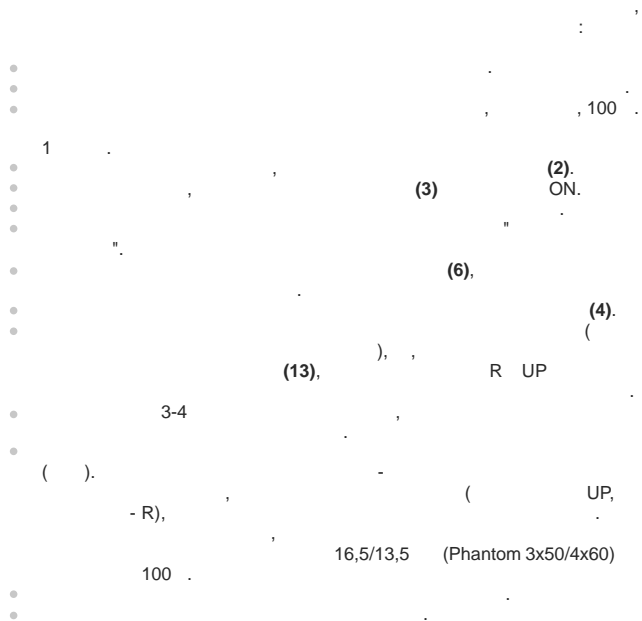
$$\frac{(\quad)}{(\quad)} = (\quad)$$

http://www.ada.ru/guns/ballistic/MilDot/MilDot_calculator.htm
http://www.ada.ru/guns/ballistic/MilDot/ranging_table.htm

● ТЕХНИЧЕСКИЙ ОСМОТР

- (3),
- (5)
- (11),
- (8),
- (6),
- (9),
- (4),
- (6),
- (3),
- (5)
- (7)

● ПРИСТРЕЛКА ПРИЦЕЛА К ОРУЖИЮ

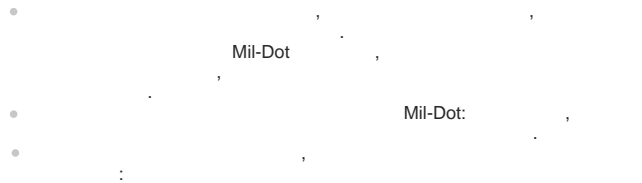


● ПРИЦЕЛЬНАЯ МЕТКА MIL-DOT

Phantom

Mil-Dot,

Использование метки Mil-Dot:



● FEATURES

- Five (three - if EMP221G tube is employed) readily available configurations of illuminated red-on-green reticles that are able to be switched at a moment's notice
- Functions with one AA (1.5V) or CR123 (3V) battery
- Accurate internal front lens focus adjustment
- Lightweight and highly durable; manufacturing employs carbon plastic and other modern technologies
- High magnification, 3x or 4x
- Close observational range of 5 meters
- IPX6 rating against water intrusion
- Shockproof with the use of heavy recoil ammunition (.375 H&H, .416 Rigby, .50 cal.), up to 6000 joules
- Vertical positioning of the battery ensures an uninterrupted power supply when firing
- The image intensifier tube is protected against excessive light exposure
- Incremental reticle brightness adjustment
- The reticle will blink as a warning 15-30 minutes before the device shuts down automatically as a low battery indicator
- Stabilized power supply for optimal consumption, ensuring no shift of the aiming point under a continuous power draw or drop in temperature
- Fast start-up
- Ergonomic design; the adjustment controls are located on top
- Precision internal windage/elevation adjustment MOA per click
- Built-in high-power PULSE hazard free IR illuminator with beam focus
- Remote control with secure attachment
- Additional weaver MIL-STD-1913 rail for accessories
- Flip-up objective lens cover
- Stylish carrying case



The PHANTOM is a complex electro-optical device designed using innovative technology.

We strongly recommend reading and following all the instructions carefully before turning on the riflescope.

Not following the instructions and guidelines outlined in this instruction manual can cause damage to the device, as well as voiding any applicable warranty.

● OPERATING INSTRUCTIONS

The PHANTOM night vision riflescope is intended for observation and hunting at dusk or during nighttime hours. When operated in conditions without artificial sources of light, it is a passive device. However, in environments of absolute darkness the built-in IR illuminator provides viewing ability. The PHANTOM is a very capable night vision device, and equally serves the amateur or professional for:

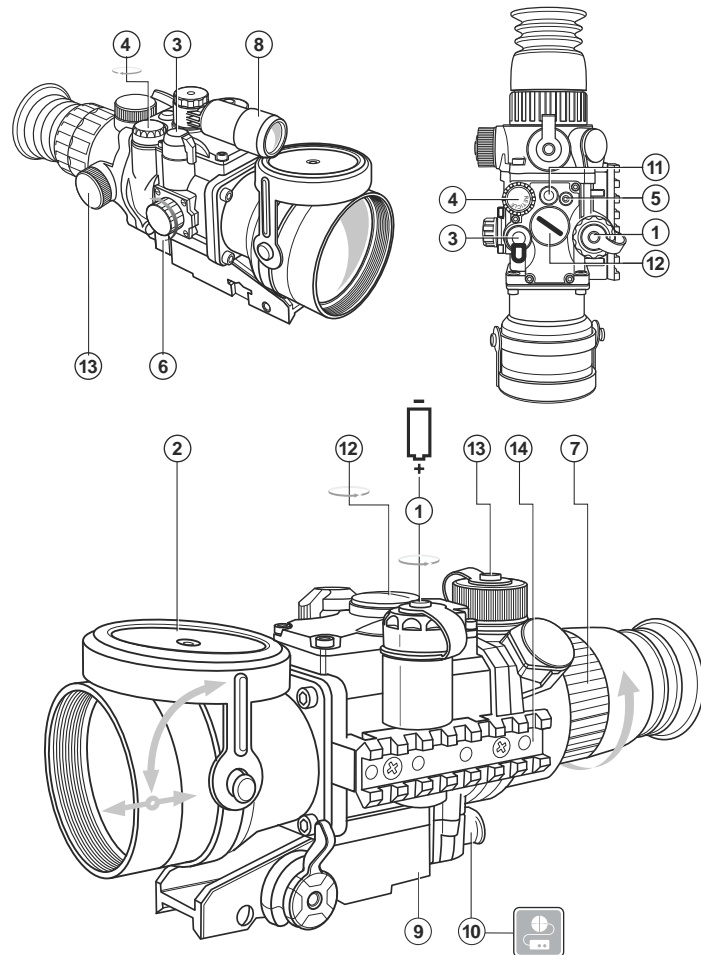
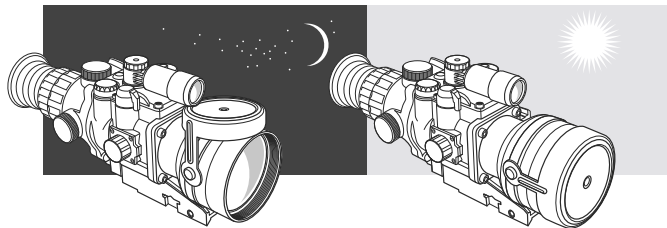
- Night observation and hunting
- Patrolling and safeguarding
- Search and rescue

● GUIDELINES FOR OPERATION

The PHANTOM has been designed for extensive usage. To ensure longevity and performance, it is necessary to adhere to the following:

- Under illuminated conditions measuring more than 1 lux (deep dusk), do not power on the riflescope with the objective lens cap open and do not point the product towards a direct light source! Daylight, vehicle headlights, flame, sun or similar light sources can irreversibly decrease its performance.
- Some examples of common illuminated conditions:

Conditions	Natural illumination in the field, lux
No moon, cloud cover	10^{-4} (0.0001)
Starry sky, no moon, clear	10^{-3} (0.001)
Quarter moon, clear	0,05
Full moon, clear	$0,38 \times 0.4$
Deep dusk	1.0
Dusk	10
Cloudy weather	500



● УСТАНОВКА БАТАРЕИ

(+) (-) (1,5 V) CR123 (3 V) (1).

● ИСПОЛЬЗОВАНИЕ ПРИЦЕЛА

" (1).

" (2).

(3) "ON" - (2).

(4).

(5). 221)

100 (6) "100" -

(7)

(3) "IR". (12)

(8)

(7)

(8).

"OFF". (2)

(9).

(11).

(10)

- When using in bright conditions (early morning or late evening), do not leave the device on with the objective lens cap open for more than 30 minutes.
- Continuous observation of bright stationary objects can cause the electronic-optical converter to fade, leading to the appearance of dark spots in the field of vision.
- Do not forget to turn off the scope after each use!
- Store with the lens cap on, in the accompanying carrying case.
- The scope has been reinforced with an IPX6 rating against water intrusion and can be used in inclement weather; however, it is not intended for full submersion.
- Attempting to disassemble or repair the scope will void the warranty!
- Clean the scope's optical surfaces only if necessary, and use caution. First, remove (by blowing or carefully wiping off) any dust or sand particles. Then proceed to clean by using a soft cotton tissue and alcohol or a cleaning solution approved for use with multicoated lenses. Do not pour the solution directly onto the lens!
- The scope can be used in operating temperatures, ranging from -30°C to +40°C. However, if it has been brought indoors from cold temperatures, do not turn it on for 3 to 4 hours.
- If the riflescope is unable to mount onto the rifle securely, or if there are doubts about the mounting system, see a qualified gunsmith. Using the weapon with a poorly mounted scope can lead to inaccurate target shooting! To ensure reliable performance, it is recommended to carry out regular technical inspections of the unit.

● BATTERY INSTALLATION

- Unscrew the cap (1) of the battery compartment counter-clockwise.
- Install one AA (1.5V) or CR 123 (3V) battery, so that the (+) and (-) match the markings on the body of the unit.
- Tighten the cap (1).

● OPERATING THE PHANTOM

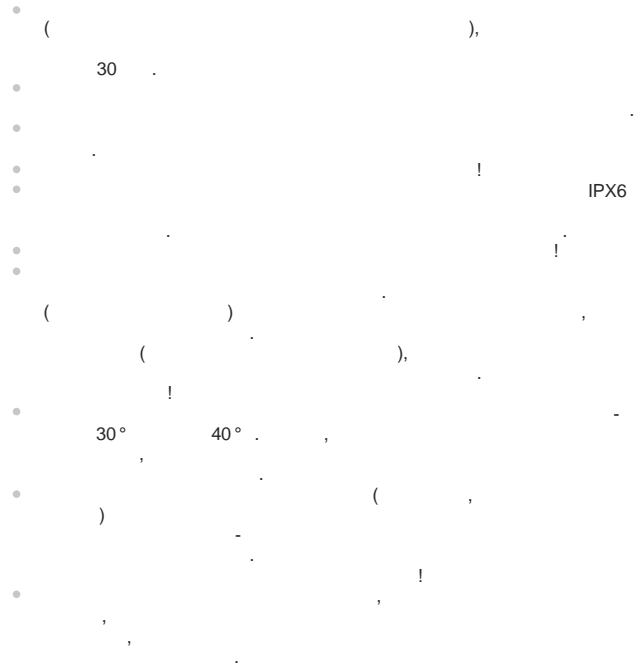
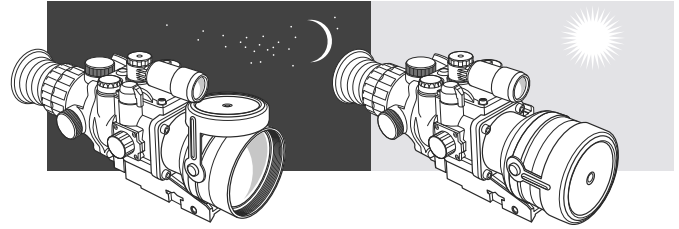
- Install the batteries according to the directions in the section entitled "BATTERY INSTALLATION".
- Enter a dark environment.
- Remove the objective lens cap by sliding it up on top of the objective lens (2).
- Turn on the unit by turning the selector switch (3) to the "ON" position; you will see the screen of the electronic-optical converter light up green.
- The scope can also be checked in an illuminated area, but this is meant solely for testing the device; the lens cap (2) must tightly cover the objective lens.
- To adjust the brightness of the red reticle, turn knob (4).
- To select one of the five (three - if EPM66G-2 tube employed) types of red reticles, press button (5).
- Choose a removed stationary object to observe, at a distance of about 100 m.
- Turn the focusing knob (6) to "100", it will settle into a notch.

- Observe the object through the scope and turn the diopter focus knob (7) until the image appears crisp.
- If necessary, turn on the IR illuminator by turning the selector switch (3) to "IR" position. To mount the IR illuminator, unscrew and remove the plug (12) and screw the IR clockwise.
- Turn the knob of the IR illuminator (8) until you get a focused IR spot.
- After making these adjustments, no further tuning of the diopter is required, regardless of distance or other factors; perfect the image quality using only the knob for the objective lens (6) and that for the IR illuminator (8).
- When finished, turn off the riflescope by turning the selector switch (3) to the "OFF" position and replace the objective lens cap (2).
- It is possible to mount the scope onto the firearm using a special bracket (9); after the initial mounting is performed, it is important to follow further mounting instructions in the section entitled "SIGHTING IN THE PHANTOM".
- The riflescope can be turned on instantaneously with either the remote control housed in its bracket (10) or by button (11).

● SIGHTING IN THE PHANTOM

Sighting in of the scope should be done at operating temperatures, by following the order of these steps:

- Mount the rifle with the scope installed on a bench rest.
- Make sure that no sources of light are visible through the scope's field of vision.
- Set a target at a distance of about 100m; the light levels around the target should not exceed 1 lux.
- Remove the objective lens cap (2), by sliding it up on top of the objective lens.
- Turn on the scope by turning the selector switch (3) to the "ON" position.
- Aim the firearm at the target using the mechanical sight.
- Adjust the scope according to the steps in the section entitled "OPERATING THE PHANTOM".
- Turn the objective lens focusing knob (6) until you get a crisp image of the target.
- Set the desired reticle brightness level by turning knob (4).
- If the center of the reticle crosshairs and the target center do not line up, remove the covers protecting the windage / elevation adjustment knobs.
- Using live ammunition, take 3 or 4 control shots, continually aiming at the same hit point on the target (you may also use a laser bore sighter and align the laser point to the center of the cross hairs).
- Examine the target and determine if the aiming point coincides with point of impact, if you determine it's necessary to make corrections, you will need to adjust your aiming point. To move it downwards and to the left, turn the knob (13) counterclockwise, in the directions Down and Left respectively, the aiming point moves upwards and to the right; keep in mind that one click of the knob corresponds to a 16.5/13.5 mm (Phantom 3x50/4x60) shift of the hit point at a distance of 100m.
- Check the accuracy of your adjustments by firing another 3 or 4 control shots.
- The scope should now be zeroed-in for the specified distance.



Phantom

● ИНСТРУКЦИЯ ПО ИСПОЛЬЗОВАНИЮ

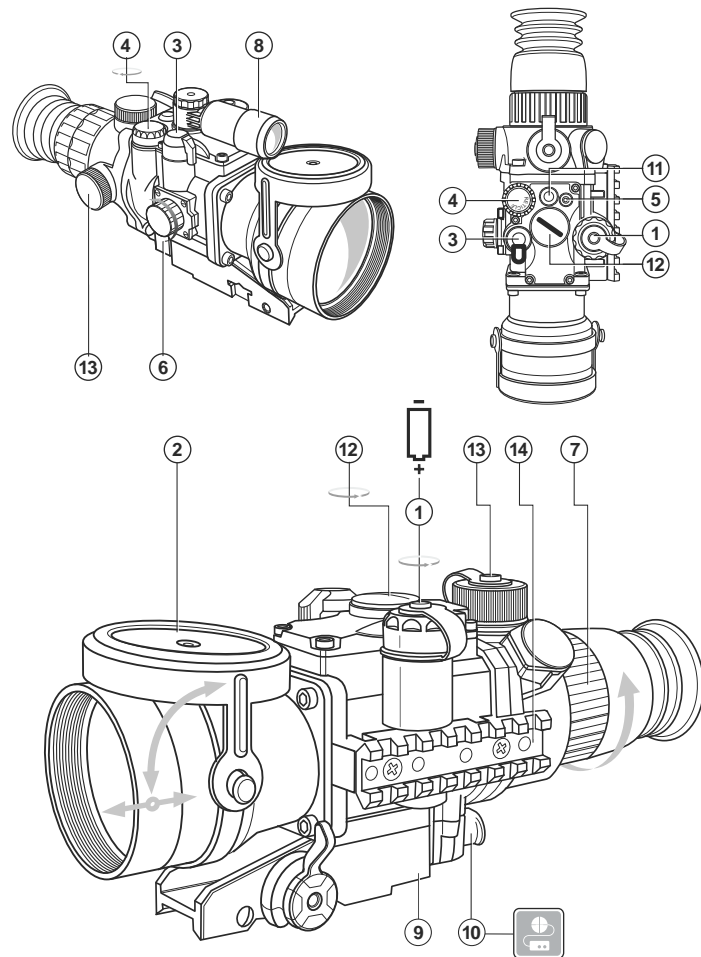
"Phantom"

"Phantom" -

● ОСОБЕННОСТИ ЭКСПЛУАТАЦИИ

"Phantom"

	10^{-4} (0,0001)
	10^{-3} (0,001)
1/4	0,05
	0,38×0,4
	1,0
	10
	500



● MIL-DOT RETICLE

Your night vision rifle scope Phantom has a Mil-Dot reticle installed which helps you determine distance to the target if you know its actual size.

The Use of a Mil-Dot reticle:

- Viewing the target through the rifle scope place the edge of one post against one edge (top, bottom, or either side) of the target so that the crosshair extends along either its width or height.
- Using the dots, measure along the crosshair to the opposite edge of the target.
- Once the measurement of the target has been estimated in mils, use the following formula to determine the range:

$\frac{\text{The Measured object's width or height in Yards} \times 1000}{\text{Object's Width or Height in Mils}} = \text{Range in Yards}$

or
 $\frac{\text{The Measured object's width or height in Meters} \times 1000}{\text{Object's Width or Height in Mils}} = \text{Range in Meters}$

or
 $\frac{\text{The Measured object's width or height in cm} \times 10}{\text{Object's Width or Height in Mils}} = \text{Range in Meters}$

Example:

$$\frac{1.33 \text{ yards} \times 1000}{2.5 \text{ mils}} = \frac{1330}{2.5} = 532 \text{ Yards}$$

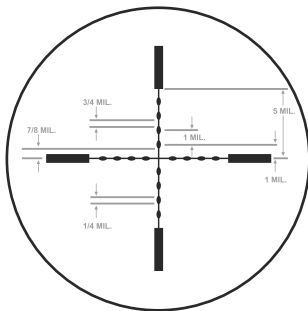
- When making windage/elevation adjustments please note that one click of the rifle scope's adjustment equals to:

For the model Phantom 3x50:

0.527 MOA (minute of angle);
 0.5519"/100yds;
 1.533cm/100m

For the model Phantom 4x60:

0.4235 MOA;
 0.4435"/100 yds;
 1.232cm/100m



1 mil (millirad) equals 3.6 inches at 100 yards or 36 inches at 1,000 yards, or 10 centimeters at 100 meters or 1 meter at 1,000 meters.

1 millirad (1 mil) = 0.001 of the distance = 3.4377 MOA

● ОСОБЕННОСТИ ПРИЦЕЛА "PHANTOM"

- IPX6 ();
- 6000 (.375 H&H, .416 Rigby, .416 Rem. Magnum) 700
- (2+) -
- (10⁴ -)
- 3 4
- 5
- 221 -); (
- :
- (AA (1,5) 1,2
- R123 (3 B) ()
- 15-30
- Weaver



ТЕХНИЧЕСКИЕ ХАРАКТЕРИСТИКИ

МОДЕЛЬ#	76057T	76058T	76067T	76068T
МОДЕЛЬ MIL-DOT#	76157T	76158T	76167T	76168T
	3	4	3	4
	50 , F / 1.63 60	F / 1.68	50 , F / 1.63 60	F / 1.68
	2+	2+	2+	2+
	221 -00-11 *		DEP 1441*	DEP 1441*
	45	45	45	45
	50	50	53	53
	11/20	9/15,7	13/23	11/19
	600	700	600	700
	±3,5	±3,5	±2,5	±2,5
	5	8	5	8
		1,5V (1xAA)	3V (1xCR123A)	
) AA**/ CR123	15/24	15/24	15/24	15/24
) AA**/ CR123	5/8	5/8	5/8	5/8
IP (IEC 60529)	IPX6	IPX6	IPX6	IPX6
		-30 °	+40 °	
	278	320	257	288
	95	95	95	95
	103	103	103	103
	>1,0	>1,0	>1,0	>1,0
	NV 1,7x			

*
** 0,05 () 1,7x0,5
*** "Alkaline", . . .

КОМПЛЕКТ ПОСТАВКИ

-
-
-
-
-

Further information on the use of the Mil-Dot reticle (reference charts, calculators etc.) you can find at the following links:

- <http://www.mildot.com>
- http://www.mil-dot.com/Mil_Dot_User_Guide.htm
- <http://www.shooterready.com/mildot.swf>

TECHNICAL INSPECTION

It is recommended to inspect the riflescope before every use. Make sure to check for the following:

- Visually inspect the unit is free from any physical damage; cracks, dents or signs of corrosion disqualify it from proper use.
- Check the sturdiness and proper fit of the mounting system.
- Ensure the condition of the objective lens, eyepiece and the IR illuminator are free of cracks, grease spots, dirt, water stains and other residue before use.
- Visually inspect the condition of the battery and the battery compartment; the battery should be free of electrolyte and oxidation residue, especially where the battery makes contact with metal.
- Verify the proper function of the following; selector switch (3), reticle brightness knob (4), reticle selector button and the instant power-on button (11).
- Verify the smoothness of the objective lens focusing mechanism (6), diopter focusing knob (7) and the IR illuminator knob (8).

TECHNICAL MAINTENANCE

Technical maintenance should be done no less than twice a year, and is comprised in the following steps:

- Clean the outside metallic and plastic surfaces from dust, dirt and moisture; wipe the scope with a soft cotton tissue, lightly coating it with gun oil or petroleum jelly.
- Clean the battery compartment's electric contact points using an oil-free solvent.
- Inspect the eyepiece lens, the objective lens and the IR illuminator and gently blow off any dust and sand, and clean using lens cleaner and a soft cloth; see section entitled "GUIDELINES FOR OPERATION".

USING THE NV 1.7x LENS CONVERTER

The NV 1.7x Lens Converter (#79091) increases the magnification power of the 50mm PHANTOM 1.7 times.

The lens converter screws into the internal groove of the riflescope's objective lens; refer to the instruction manual for the Lens Converter when installing. A possible shift of the aiming point may occur and, in that case, it is important to sight in the scope as previously described.

● USING THE ADDITIONAL WEAVER RAIL

The scope has a built-in additional weaver rail mount (14) housed on the left portion of the body. This will allow the mount of additional devices, such as:

- The Pulsar-805 IR Flashlight (#79071).

● USE OF THE REMOTE-CONTROL CONSOLE

The Phantom is supplied with a remote-control console. The console has three buttons:

- “**ON**” button turns on/off the riflescope (fixed when pressed).
- “**IR**” button turns on/off the built-in IR Illuminator (fixed when pressed).
- “**Quick start**” button - quick start-up of the riflescope and IR illuminator (the device works only when the button is kept pressed). After this button is released, the riflescope turns off, IR Illuminator and reticle go out.

● STORAGE

Always store the unit in its carrying case in a dry, well-ventilated space. For prolonged storage, remove the battery.

● TROUBLESHOOTING

Listed below are some potential problems that may occur when using the PHANTOM. Carry out the recommended checks and troubleshooting steps in the order listed. Please note that the table does not list all of the possible problems. If the problem experienced with the scope is not listed, or if the suggested action meant to correct it does not resolve the problem, please contact the manufacturer.

Problem	Possible cause(s)	Corrective action
The riflescope does not turn on.	The battery has been installed incorrectly.	Reinstall the battery with the correct polarity orientation.
	The total battery charge is less than 2.0V.	Install fresh battery.
	Oxidized contact points in the battery compartment due to “leaky” batteries or contact points becoming exposed to a chemically-reactive solution.	Clean the battery compartment, focusing on the contact points.
The red reticle is blurred and cannot be focused with the diopter knob.	The diopter cannot be adjusted to your vision.	If you wear prescription glasses with a range of +/- 5, keep glasses on when looking through the eyepiece.

Guasto	Causa eventuale	Eliminazione
annocchiale non si accende.	Batteria d'alimentazione non inserita correttamente. Tensione totale sulle batterie meno 2,0V.	Veda la marcatura per inserire correttamente. Cambiare batterie.
annocchiale non si accende.	Contatti sede batterie sono acidi batterie “scorrono” oppure il liquido reattivo sui contatti.	Pulire sede batterie e contatti.
Immagine del segno rosso non chiara non si riesce a centrare l'oculare.	Per correggere la vista manca diottria d'oculare.	Se si usa gli occhiali con lenti piu' di +/- 5, si segue il mirino tramite l'oculare con gli occhiali.
Immagine del segno rosso chiara, l'immagine dell'oggetto alla distanza di meno 30 m non e' chiara.	Polvere e/o umidita' sulle superfici esterne dell'obiettivo e dell'oculare. stoffa di cotone.	Pulire superfici esterne con la stoffa di cotone.
	Umidita' sulle superfici interne dell'obiettivo/dell'oculare/di CIE probabilmente causata dal trasferimento dello strumento dal freddo al caldo.	Asciugare il mirino per 4 ore nell'ambiente caldo.
	Tensione totale sulle batterie meno 2,0V.	Cambiare batterie.
Singoli piccoli punti scuri nel campo di vista, l'immagine dell'oggetto e' chiara.	Punti sullo schermo CIE sono causati dalla tecnologia adatta e non provocano dei problemi di funzionamento ne' sicurezza. Dimensioni dei punti sono previste sulle specifiche tecniche di CIE e dello strumento.	Non e' il caso di ritornare lo strumento al costruttore.
annocchiale o l'illuminatore IR non si spegne con la maniglia del selettore di mirino.	annocchiale e' attivato dal telecomando.	Spegnere lo strumento e l'illuminatore IR premendo il bottone telecomando.
Allo sparo il segno si sposta.	Fissaggio del mirino sull'arma non e' solido.	Controllare il fissaggio del annocchiale. Verificare il titolo di cartuccia, se precisamente quello usato nelle prove del annocchiale. Se la cartuccia era usata per le prove d'esate ed adesso e' l'inverno (o all'contrario), l'eventuale spostamento del punto zero non e' escluso.
annocchiale non si centra.	Regolazione non e' corretta.	Per la regolazione dello strumento veda sezione Uso Mirino. Controllare superfici esterne di lenti d'obiettivo e d'oculare, pulire se il caso, rimuovere polvere, condensato, brina ecc. Alle temperature basse si puo' ricorrere al rivestimento anti appannato come per esempio per gli occhiali correttivi.

● CONVERTITORE DILENTE NV 1,7x

Il convertitore NV1,7x (#79091) consente a magnificare 1,7 volte il cannocchiale Phantom col diametro d'obiettivo 50 mm.

Si avvista Il convertitore nell'obiettivo del visore. Ricordare di leggere il Manuale fornito con Il convertitore. Attenzione: il segno del mirino si puo' spostare. Per tale ragione e' considerato opportuno d'eseguire le prove di sparo.

● USO DEL CONTROLLO REMOTO

Il cannocchiale per visione notturna Phantom è dotato di un controllo remoto, che ha tre pulsanti:

- Pulsante "ON" - accende/spegne il cannocchiale (in modo fisso quando premuto).
- Pulsante "IR" - accende/spegne l'illuminatore IR incorporato (in modo fisso quando premuto).
- Pulsante "Avvio rapido" - accensione rapida del cannocchiale e dell'illuminatore IR (l'apparecchio funziona solo tenendo premuto il pulsante). Dopo che il pulsante "Avvio rapido" viene rilasciato, il cannocchiale, l'illuminatore ed il reticolo si spengono.

● USO DELL'ASSICELLA AUXILIARIA WEAVER

Il mirino integra l'assicella ausiliaria Weaver (14), montata sul copro, parte sinistra. Serve per attaccare i seguenti attrezzi:

- Illuminatore IR Pulsar-805 (#79071).

● CONSERVAZIONE

Si conserva lo strumento nell'astuccio; l'ambiente e' secco, ben ventilato. Alla conservazione lunga si toglie la batteria d'alimentazione.

● GUASTI EVENTUALI E MODO DI ELIMINARLI

La tabella sotto si elenca eventuali guasti durante l'uso del visore. Si raccomanda di seguire esattamente la procedura di controllo e di eliminazione come per tabella indicata. Non tutti i guasti che potrebbero accadere sono evidenziati sulla tabella. Le verifiche indicate nella tabella sono obbligatorie ai fini di rivelare le cause dei guasti durante l'uso dello strumento; le azioni per correggerli sono indicati ai fini di eliminarli. Se il problema continua ad esistere, si raccomanda di rivolgerlo al costruttore.

Problem	Possible cause(s)	Corrective action
With a crisp image of the reticle, the image of the observed target that is at least 30 m away is blurred.	Dust and moisture are covering the outside optical surfaces.	Clean the lens surfaces with a soft cotton tissue or cloth.
	Moisture is on the inside of the objective and the eyepiece lenses, or is on the optical surfaces of the electronic-optical intensifier and may be caused by the unit fogging up due to a rapid change in temperature; when the device is brought in from the cold into a warm environment, for example.	Let the riflescope dry by leaving it in a warm environment for 4 hours.
	The total battery charge is less than 2.0V.	Install fresh battery.
Distinct black dots or specs on the screen.	The dots on the screen are cosmetic blemishes in the intensifier tube and are a by-product of the manufacturing process; they do not in any way affect the life or performance of the unit, and if there is dust on the lens, please clean according to the instructions.	No need to take corrective action or return the device.
The scope or the IR illuminator do not turn off via the selector switch on the scope.	The scope is turned on via the remote control.	Turn off the scope and the IR illuminator using the remote control.
The aiming point shifts after firing rounds.	The riflescope is not mounted securely.	Check how securely the riflescope has been mounted and make sure that the same type and caliber bullets are being used as when the scope was initially sighted in; if your scope was sighted in during the summer, and is now being used in the winter (or the other way around), a small displacement of the aiming point is possible.
The riflescope does not focus.	Wrong settings.	Adjust the riflescope according to the instructions given in the section, entitled "OPERATING THE PHANTOM" and check the surfaces of the eyepiece and objective lenses and clean them if necessary from dust, condensation, frost, etc; to prevent fogging in cold weather, apply a special anti-fog solution.

● DONNÉES TECHNIQUES

MODÈLE#	76057T	76058T	76067T	76068T
MODÈLE MIL-DOT#	76157T	76158T	76167T	76168T

Caractéristiques optiques:

Grossissement visuel, x	3	4	3	4
Objectif	50 mm, F / 1.63 60 mm F / 1.68 50 mm, F / 1.63 60 mm F / 1.68			
Génération du convertisseur d'image électronique (CIE)	2+	2+	2+	2+
Type du CIE	EPM221G-00-11 *	DEP	1441*	DEP 1441*
Résolution, lignes/mm, min.	45	45	45	45
Dégagement oculaire, mm	50	50	53	53
Angle du champ de vision, degrés	11/20	9/15,7	13/23	11/19
Distance de la détection max, m**	600	700	600	700
Ajustement de l'oculaire, dioptrie	±3,5	±3,5	±2,5	±2,5
Distance d'observation minimale, m	5	8	5	8

Caractéristiques fonctionnelles:

Type d'éléments d'alimentation / tension de fonctionnement, V	Au choix: 1xAA/1,5V ou 1xCR123A/3V			
Durée de fonctionnement continu avec une seule pile, h (l'éclairage infrarouge est arrêté) AA**/CR123A	15/24	15/24	15/24	15/24
Durée de fonctionnement continu avec une seule pile, h (avec l'éclairage infrarouge) AA**/CR123A	5/8	5/8	5/8	5/8
Classe de protection, code IP (IEC 60529)	IPX6	IPX6	IPX6	IPX6
Températures d'utilisation	de -30 °C à +40 °C			
Dimensions, mm:				
Longueur	278	320	257	288
Largeur	95	95	95	95
Hauteur	103	103	103	103
Poids (sans l'emballage), kg	>1,0	>1,0	>1,0	>1,0
Possibilité de montage du convertisseur de lentille NV 1,7x	Oui	Non	Oui	Non

* Au lieu de ces convertisseurs d'image électroniques on peut utiliser les analogues CIEs.

** Distance de la détection max. du objet avec dimensions 1,7x0,5 m à l'éclairage nocturne naturel 0,05 lux (un quart de la lune).

*** Il est recommandé d'utiliser les batteries de type AA "Alkaline" puisque elles sont caractérisées par la plus grande durée de fonctionnement.

Le design de ce produit pourrait être amené à changer, afin d'améliorer son utilisation.

● DÉBALLAGE DE L'APPAREIL

- L'appareil assemblé
- L'étui
- Le pupitre de commande à distance
- Une carte de garantie
- Guide d'emploi

1 mil equivale a 3,6" a 100 iarde, ovvero 36" a 1 000 oppure 10 cm a 100 m, ovvero ad 1 m a 1 000 metri.

1 millirad (1 mil) = 0,001 della distanza = 3,4377 MOA

Ulteriori informazioni riguardo l'uso del reticolo Mil-Dot (tabelle di riferimento, calcolatori ecc.) posso essere reperite ai seguenti indirizzi internet (in lingua inglese):

<http://www.mildot.com>

http://www.mil-dot.com/Mil_Dot_User_Guide.htm

<http://www.shooterready.com/mildot.swf>

● ISPEZIONE TECNICA

Si raccomanda procedere col manutenzione ogni volta di andare a caccia. Controlli obbligatori:

- Le parte esterni (fissure, ammaccature profonde, traccia di corrosione non sono accettabile).
- Le corrette fessure all'arma (gioco non accettabile assolutamente).
- Le lenti d'obiettivo, d'oculare e d'illuminatore IR (fessure, macchie di grasso, gocce d'acqua ed altre tracce non accettabile).
- Alimentatori e contatti elettrici della camera batterie (la batteria deve essere caricata, elettrolita, sale, acido non accettabili).
- Il corretto funzionamento del selettore modi (3), regolatore d'intensita' del segno (4), bottone della selezione del segno (5) e abilitazione immediata (11).
- Il funzionamento della maniglia d'obiettivo (6), anello d'oculare (7) e blenda d'illuminatore IR (8).

● MANUTENZIONE

La manutenzione ordinaria si esercita al minimo due volte all'anno e si procede come segue:

- Pulire superfici di metallo esterne e di plastico, rimuovere la polvere, lo sporco, l'acqua/umidità, pulire con la stoffa di cotone impregnata un po' coll'olio adatto all'arma o vaselina.
- Pulire i contatti elettrici della camera batterie, usare i solventi organici non grassi.
- Controllare visualmente lenti d'oculare, d'obiettivo e d'illuminatore IR, rimuovere la sabbia, polvere e se necessario, pulire le superfici esterne.

● RETICOLO MIL-DOT

Il cannocchiale notturno Phantom è dotato di un reticolo Mil-Dot che aiuta a determinare la distanza del bersaglio, conoscendone le dimensioni.

Utilizzo del reticolo Mil-Dot:

Per utilizzare il reticolo Mil-Dot occorre conoscere le dimensioni effettive del bersaglio.

- Guardare il bersaglio con il cannocchiale da puntamento.
- Posizionare il bordo di un'astina contro il bordo (superiore, inferiore, o laterale) del bersaglio in modo che il crocicchio si trovi lungo la sua larghezza o altezza.
- Servendosi dei dot, effettuare la misurazione lungo il crocicchio fino al bordo opposto del bersaglio.
- Una volta determinate le dimensioni del bersaglio in mil è possibile determinarne la distanza.

Questa può essere calcolata applicando la seguente formula:

$\frac{\text{Altezza o larghezza del bersaglio in iarde} \times 1000}{\text{Altezza o larghezza del bersaglio in mil}} = \text{Distanza del bersaglio in iarde}$

oppure $\frac{\text{Altezza o larghezza del bersaglio in metri} \times 1000}{\text{Altezza o larghezza del bersaglio in mil}} = \text{Distanza del bersaglio in metri}$

oppure $\frac{\text{Altezza o larghezza del bersaglio in cm} \times 10}{\text{Altezza o larghezza del bersaglio in mil}} = \text{Distanza del bersaglio in metri}$

Esempio:

$$\frac{1,33 \text{ iarde} \times 1000}{2,5 \text{ mils}} = \frac{1330}{2,5} = 532 \text{ iarde}$$

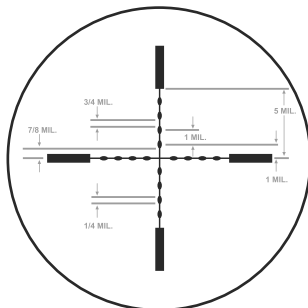
- Quando si effettua la regolazione dell'alzo o della deriva, fare attenzione che un click della torretta equivale a:

Per il modello Phantom 3x50:

0,527 MOA;
0,5519"/100yds;
1,533cm/100m

Per il modello Phantom 4x60:

0,4235 MOA;
0,4435"/100 yds;
1,232cm/100m



● CARACTERISTIQUES PARTICULIERES DU VISEUR PHANTOM

- Classe d'hermétisation IPX6 (étanche à l'eau); trajet optique - remplis de gaz
- Admis l'utilisation des cartouches à haute puissance, avec l'énergie de bouche jusqu'à 6000 Joules (375 H&H, 416 Rigby, 416 Rem.Magnum)
- Distance de la detection jusqu'à 700 m au maximum
- Convertisseur d'image électronique de la 2-ème génération (2+) - est efficace dans n'importe quelles conditions d'éclairage nocturne naturel y compris aux niveaux extrêmement bas (10⁻⁴ lux ciel nocturne nuageux)
- Une haute résolution et qualité d'image sur tout le champ de l'écran de l'appareil
- Protection de l'appareil contre le dépassement du niveau général d'éclairage
- Optique lumineuse à haute qualité avec grossissement optimal de 3-4 fois
- Distance d'observation minimale - 5 m
- Cinq (trois - pour le CIE du type EMP221G) configurations de la marque de pointage rouge; possibilité de choisir commutation momentanée
- Réglage continu de luminosité de la marque
- Choix de fixations, permettant de monter le viseur pratiquement sur tout type de fusil de chasse
- Bloc d'alimentation stabilisé: consommation d'énergie optimisée, absence d'écart du point de mire à la décharge progressif des piles (et à la baisse de température de l'air)
- Fonctionnement autonome avec une seule pile de type AA (1,5 V) ou de type CR123 (3 V). (Il est admis d'utiliser une batterie d'accumulateurs de 1,2 V équivalente à une batterie de type AA)
- Position verticale d'une batterie est une sûreté d'alimentation au moment du tir
- Indication du décharge de la batterie: signal clignotant de la maque de pointage avertit de l'arrêt automatique de l'appareil avant de 15-30 minutes
- Design ergonomique la commande de l'appareil est située en haut
- Eclairage infrarouge focalisé facilement démontable
- Pupitre de commande à distance avec raccord de haute sûreté
- Planche supplémentaire latérale Weaver
- Couverture de l'objectif non détachable
- Bouton de mise en marche instantane
- Petite masse et haute solidité - on utilise dans la construction de l'appareil un carboplastique et d'autres types de matières plastique avancées



Le viseur de noctovision Phantom est un appareil électronique optique complexe construit sur la base des technologies avancées.

Il est réclamé d'étudier attentivement le Guide d'emploi du viseur avant que vous le mettiez en service.

La non-observation des recommandations et des indications figurées dans le Guide d'emploi peut causer la mise hors service, prématurée ou même en un instant du viseur avec l'annulation simultanée des garanties du producteur.

● GUIDE D'EMPLOI

Le viseur de noctovision "Phantom" est destiné à l'observation et au tir ajusté dans les crépuscule et temps de nuit. C'est un appareil passif, dans des conditions réelles d'utilisation fonctionne sans sources de lumière artificiels. Néanmoins, dans l'obscurité complète (absence de clair des étoiles et de la lune) la possibilité d'utiliser l'éclairage infrarouge incorporé n'est pas exclue. Votre viseur "Phantom" est un appareil universel de noctovision et parfait pour les différents domaines d'application professionnelle et d'amateur, y compris:

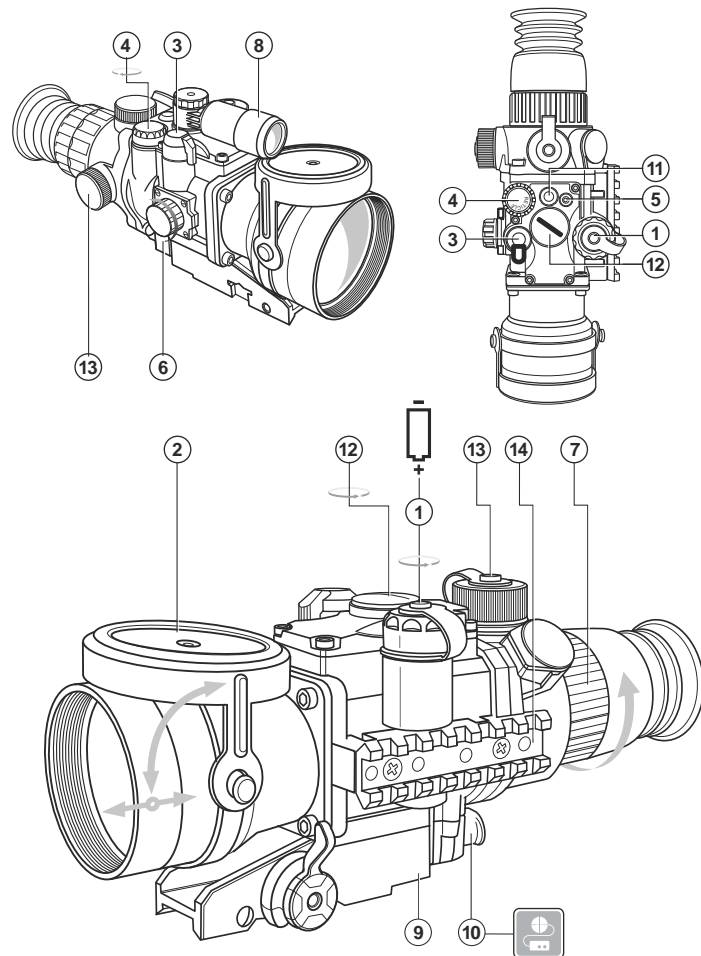
- Observation nocturne et la chasse à la nuit
- Protection et sécurité
- Recherche et sauvetage

● PARTICULARITES D'EMPLOI

Le viseur de noctovision "Phantom" est destiné pour l'utilisation prolongée. Pour assurer la longévité et un bon fonctionnement de l'appareil il faut suivre les recommandations suivantes.

- Ne mettez pas en marche le viseur avec le couvercle ouvert de l'objectif à l'éclairage dépassant 1 lux. (crépuscule profond), ne le pointez pas sur de fortes sources de lumière! La lumière de jour, de phare automobile, de soleil et une telle source de lumière comme soudure ou feu de bois peuvent diminuer irréparablement l'efficacité de son fonctionnement et la ressource.
- Certains exemples des types de lumière, lux

Conditions	Eclairage naturel, lux
La lune est absente, le ciel est nuageux	10^{-4} (0,0001)
Le ciel avec étoiles, absence de lune, le temps est clair	10^{-3} (0,001)
¼ de la lune, le temps est clair	0,05
La lune est pleine, le temps est clair	$0,38 \times 0,4$
Le crépuscule profond	1,0
Le crépuscule	10
Le temps est couvert	500

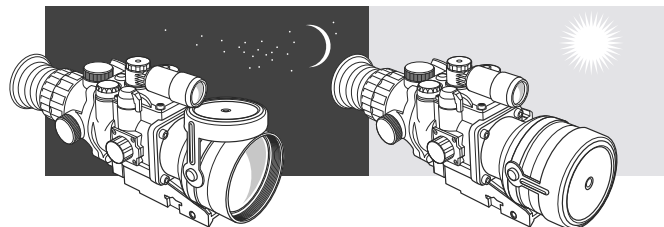


- Trovare un oggetto d'osservazione immobile alla distanza di 100 m.
- Premere il bottone di concentrazione **(6)** contro il segno 100, si applica la forza se la posizione scelta e' corretta.
- Seguire l'obiettivo scelto con il visore, girare la ghiera **(7)** per raggiungere l'ottima immagine possibile.
- Abilitare l'illuminazione IR se opportuno. Per tale scopo girare la maniglia **(3)** alla posizione IR.
- Girare la blenda dell'illuminatore IR **(8)** fino a raggiungere la concentrazione del punto luminoso.
- Dopo regolazione non girare la ghiera dell'oculare **(7)**. L'immagine si aggiusta con la maniglia **(6)** e blenda dell'illuminatore IR **(8)**.
- Dopo l'uso spegnere lo strumento con la maniglia **(3)** girandola su OFF.
- Chiudere il coperchio **(2)** dell'obiettivo dello strumento.
- Si puo' sistemare il mirino sull'arma mediante la mensola **(9)** adatta. Dopo la prima messa seguire le indicazioni Tiro Prove del Cannocchiale.
- Si accende il mirino immediatamente col telecomando collegato alla sede **(10)** oppure col bottone **(11)**.
- Svitare la vite **(12)** per smontare l'illuminatore IR.

● TIRO PROVE DEL CANNOCCHIALE

Si raccomanda di fare tiro prove alla temperature di esercizio secondo la procedura sottoindicata:

- Collocare l'arma a cannocchiale su tiro tavola.
- Assicurarsi di non rivelare i sorgenti della luce luminosa nel campo visione.
- Centrare il bersaglio alla distanza di 100 m, l'illuminazione non supera 1 lux.
- Togliere il coperchio d'obiettivo spostandolo sul corpo **(2)** d'obiettivo.
- Attivare il cannocchiale con selettore **(3)** in posizione ON.
- Centrare l'arma sul centro di bersaglio mediante il cannocchiale meccanico.
- Regolare il cannocchiale, veda Funzionamento di cannocchiale.
- Ottenere l'immagine chiara con la maniglia d'obiettivo **(6)**.
- Girando la ghiera dell'obiettivo ottenere l'intensita' di bersaglio ottima col regolatore **(4)**.
- Se il centro del bersaglio ed il punto di mira non coincidono (croce rossa), aprire le cappe dei dischi, girare R e UP per far cadere il centro del bersaglio sul centro del segno.
- Sparare 3-4 volte per far verifiche ripetitivamente sempre allo stesso punto.
- Determinare il raggruppamenti di spari e la posizione del punto medio colpito (PMC); se qualsiasi spostamento del PMC supera il limite accettabile, regolando il disco campione (UP-verticale; R-ozionatale) far coincidere il PMC ed il bersaglio. Attenzione: uno clic del disco significa lo spostamento del segno a 16,5/13,5 mm (Phantom 3x50/4x60) alla distanza di 100 m.
- Controllare la corettezza del secondo tiro.
- A questo punto il cannocchiale e' considerato di aver superato le prove.



- A l'utilisation du viseur dans des conditions d'eclairage élevé (le petit matin ou le soir tard) il est défendu de laisser l'appareil mis en marche avec le couvercle ouvert dans l'état immobile dépassant 30 minutes.
- A l'observation des objets de vive lumière statiques cela peut causer la brulure de lumenophore et l'apparition des taches noires dans le champ.
- N'oubliez pas d'arreter le viseur après l'exploitation!
- Conservez le viseur avec le couvercle de protection à lumière mis sur l'objectif et dans son étui.
- Le viseur a un haut niveau de protection contre la pénétration d'humidité IPX6 et peut être exploité dans les conditions de précipitations atmosphériques abondantes d'une importance quelle intensité.
- Le viseur ne doit être plongé dans l'eau. Il est défendu de réparer et démonter le viseur sous garantie.
- Le nettoyage extérieur des pièces optiques est effectué soigneusement et en cas d'une vraie nécessité. D'abord enlevez avec précaution (souffler ou secouer) la poussière et la boue de la surface optique puis faites le nettoyage. Utilisez pour cela une serviette à coton (ouate ou un petit baton de bois), des moyens spéciaux destinés aux lentilles avec le revêtement multicouches. Ne versez pas de l'eau tout droit sur la lentille!
- Le viseur peut être exploité dans une large étendue de températures de -30 °C à +40 °C.
- Néanmoins si l'appareil est apporté du froid dans un local chaud ne le mettez pas en marche depuis 3-4 minutes.
- Si vous ne pouvez pas monter facilement et sûrement le viseur sur le fusil (sans le jeu, tout droit le long du canon) ou si vous mettez en doute la dureté de fixation adressez-vous obligatoirement à un atelier spécialisé de réparation des armes. Le tir avec le viseur monté irrégulièrement sur le fusil peut causer la détérioration de la marque de pointage ou l'impossibilité du réglage de tir.
- Afin d'assurer le fonctionnement sans défaillance ainsi que la constatation opportune et la réparation des défauts causant l'usure prématurée et mise hors marche des unités et des pièces il faut effectuer à temps la visite et l'entretien techniques du viseur.

● INSTALLATION DE LA BATTERIE

- Dévissez au sens contraire le couvercle du compartiment de batteries (1).
- Insérez la batterie de type AA (1,5 V) ou de type CR123A (3 V) de façon que les (+) et (-) concident au marquage sur le corps.
- Vissez le couvercle (1).

● UTILISATION DU VISEUR

- Insérez la batterie en conformité avec les indications du chapitre "Installation de la batterie".
- Entrez dans la zone obscure.
- Enlevez le couvercle en le déposant sur le corps de l'objectif (2).
- Mettez l'appareil en marche, en tournant le régulateur (3) en position "ON" l'écran vert de l'appareil commence à éclairer.
- Vous pouvez contrôler le fonctionnement du viseur dans la zone éclairée. Ce régime de fonctionnement est prévue exclusivement pour contrôler le fonctionnement de l'appareil; le couvercle de l'objectif (2) doit être mis étroitement sur l'objectif.
- Pour régler la luminosité de la marque de pointage rouge tournez le régulateur (4).
- Pour le choix d'une de cinq (trois - pour le CIE du type EMP221G) configurations de la marque de pointage rouge appuyez le bouton (5).
- Choisissez l'objet d'observation immobile éloigné à la distance de 100 m.
- Installez le régulateur de focalisation de l'objectif (6) en face de la marque "100" l'effort élevé de sa fixation en signifie.
- Observez l'objet choisi par le viseur; tournez l'anneau de focalisation de l'oculaire (7) en trouvant la meilleure qualité de l'image.
- En cas nécessaire mettez en marche l'éclairage infrarouge (pour monter l'éclairage infrarouge dévissez le vis (12)). Pour cela tournez le régulateur (3) en position "IR". Tournez la blade de l'éclairage infrarouge (8) jusqu'à la focalisation nécessaire de la tache infrarouge lumineuse.
- Ce réglage fait, indépendamment de la distance et des autres conditions, il ne faut pas tourner l'anneau de l'oculaire (7). Réglez la qualité de l'image seulement en tournant le régulateur de focalisation de l'objectif (6) et de la blade de l'éclairage infrarouge (8).
- A la fin d'utilisation arrêtez le viseur en tournant le régulateur (3) en position "OFF". Fermez l'objectif de l'appareil par le couvercle (2).
- Vous pouvez monter le viseur sur l'arme avec le support spécial (9). Après le premier montage du viseur sur l'arme il est nécessaire accomplir les recommandations du chapitre "Réglage par tir du viseur".
- La mise en marche instantanée du viseur peut être effectuée avec le pupitre transportable branché dans la douille (10) ou par le bouton de mise en marche instantanée (11).

- Con l'illuminazione superiore (mattinato, sera tarda) non lasciare il cannocchiale acceso con l'astuccio aperto piu' di 30 minuti.
- Osservando gli obiettivi luminosi, luminoforo CIE si scoloro perciò nel campo visione si appaiono macchie scure.
- Non scordare di spegnere il ?annocchiale dopo l'uso.
- Conservare l'obiettivo nell'astuccio coperto.
- Grado impermeabilita' IPX6, si funziona in qualsiasi condizione meteorologica. Non immergere nell'acqua.
- La garanzia si perde se lo strumento viene riparato oppure smontato.
- Pulizia dei parti ottici esterni si fa con cautela e nel caso di necessita' evidenziale. Si rimuove (togliere oppure soffiare via) la sabbia e la polvere. Si usa la stoffa di cotone o bastoncino di legno nonche' soluzioni o alcohol adatto alle pulizie di lenti. Non porre liquido su lente.
- Il ?annocchiale funziona nell'ampia scala di temperatura - 30°C piu' +40°C. Se pero' il ?annocchiale si e' esposto al freddo, non accenderlo entro 3 o 4 ore.
- Se non si riesce a fissare facilmente il ?annocchiale (senza gioco, lungo la canna) sulla fucile o nel caso dei dubbi sul fissaggio, si consiglia di contattare l'officina d'armaiolo specializzata.
- Sparare col ?annocchiale non correttamente posizionato causa la spostazione di taratura che rende il tiro impossibile.
- Per assicurare il funzionamento corretto e per eliminare i guasti che provocano l'usura anticipata o la rottura, e' obbligatoria la manutenzione ordinaria.

● INSTALLAZIONE DI BATTERIA

- Svitare nel senso contro orario il coperchio della camera batterie (1).
- Inserire batteria di tipo AA (1,5V) o CR123 (3V) facendo nota di marcatura (+) è (-) sul corpo.
- Serrare il coperchio (1).

● FUNZIONAMENTO DI CANNOCCHIALE

- Sistemare le batterie come indicato sopra Installazione di batteria.
- Entrare nella zona buia.
- Rimuovere il coperchio d'obiettivo spostandolo sul corpo (2).
- Accendere lo strumento mettendo la panopola su ON; si illumina lo schermo verde di CIE.
- Si puo' verificare il funzionamento del mirino anche alla luce. In questo modo e' previsto solo far verifiche del funzionamento dello strumento; il coperchio (2) e' sull'obiettivo.
- Per aggiustare l'intensita' del controssegno rosso si gira la maniglia (4).
- Premere il bottone (5) per far scelta della configurazione.

Il cannocchiale per visione notturna Phantom e' uno strumento ottico elettronico costruito sulla base delle tecnologie avanzate.

Si raccomanda: leggere Manuale d'Uso prima d'accendere il cannocchiale.

Non osservazione di tali consigli nonche' delle indicazioni sulla Manuale d'Uso puo' causare un guasto anche immediato e come le conseguenze, si perde la garanzia.

● MANUALE D'USO

Il cannocchiale per visione notturna PHANTOM si intende ad osservare e sparare a mira all'imbruire e di notte. Codesto e' uno strumento passivo che funziona senza l'illuminazione artificiale. Tuttavia, al buio assoluto (senza stelle ne' luna) s'implica l'illuminazione IR integrata. La Vostra scelta PHANTOM multiplico di visione notturna si applica perfettamente in vari campi professionisti ed amatori quali sono:

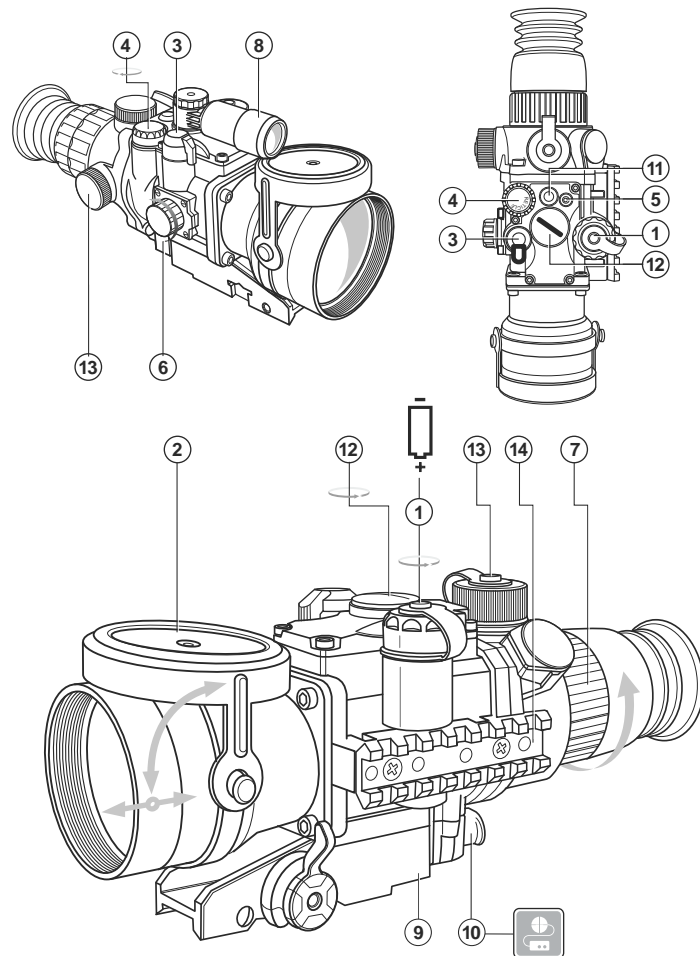
- Osservazione e caccia notturna
- Salvaguardia e securiti
- Lavoro di soccorso

● USO PARTICOLARE

Il cannocchiale per visione notturna PHANTOM s'intende ad uso prolungato. La vita e l'efficacia dello strumento dipende dall'osservazione d'indicazioni:

- Non accendere il cannocchiale con l'astuccio (coperchio) d'obiettivo aperto alla luce piu' di 1 lux (al crepuscolo profondo). Non orientare alla luce viva. Luce diurnal, fardo di autoveicolo, di saldatura o di falo' pussono ridurre l'efficacia di stesso.
- Esempio d'illuminazione, lux

Condizioni	Luce naturale, lux
Senza la Luna, nuvoloso	10^{-4} (0,0001)
Senza la Luna, cielo stellato, chiaro	10^{-3} (0,001)
1/4 della Luna, chiaro	0,05
Luna piena, chiaro	0,38x0,4
Crepuscolo profondo	1,0
Crepuscolo	10
Nuvoloso	500



● RÉGLAGE PAR LE TIR

Il est recommandé d'effectuer le réglage par le tir à la température d'exploitation du viseur dans l'ordre suivant:

- Monter l'arme avec le viseur sur le dispositif de pointage.
- S'assurer de l'absence dans le champ de vision du viseur de fortes sources de lumière.
- Installer la cible à la distance de réglage, par exemple, à 100 m. L'éclairage dans la zone de la cible ne doit pas dépasser 1 lux.
- Enlever le couvercle de l'objectif, le déposant sur le corps de l'objectif (2).
- Mettre en marche le viseur, tout en mettant le commutateur (3) en position ON.
- Pointer l'arme sur le centre de la cible selon le viseur mécanique.
- Régler le viseur conformément à la recommandation du chapitre "Utilisation du viseur".
- En tournant la bague de focalisation de l'objectif (6) trouvez l'image fine de la cible.
- Régler la luminosité optimale de la marque de pointage par le régulateur (4).
- Si le centre de la cible ne coïncide pas avec le point de mire (le centre du réticule de la marque rouge de pointage), alors préalablement dévissant les coiffes des disques d'ajustage (13), tout en tournant les disques R et UP faites coïncider le centre de la cible avec le centre du réticule de la marque de pointage.
- Faites par tir 3-4 coups de contrôle, en essayant de faire soigneusement et uniformément le pointage dans le point de mire.
- Déterminez la précision du tir et la position du point moyen d'impact (PMI); en cas de l'écart du PMI dépassant la valeur admissible, en tournant le disque d'ajustage (réglage vertical UP, réglage horizontal R) faites coïncider le PMI avec le point de mire. En le faisant il faut prendre en considération qu'un chiquenaude correspond au déplacement de la marque de 16,5/13,5 mm (Phantom 3x50/4x60) à la distance de 100 m.
- Vérifiez l'ajustage par la répétition du tir.

● RETICULE MIL-DOT

Votre viseur de noctovision Phantom comporte un réticule Mil-Dot installé, qui vous permettra de déterminer la distance de votre cible, si vous connaissez sa taille exacte.

Utilisation d'un réticule Mil-Dot

Pour utiliser le réticule Mil-Dot, vous devez connaître la taille réelle de la cible.

- En regardant la cible à travers le viseur, placez la cible au centre du réticule, à égale distance des quatre extrémités du réticule.
- En utilisant les points lumineux, mesurez la taille de votre cible.
- Une fois que la mesure de la cible a été estimée en mils, utilisez la formule suivante pour déterminer les champs de vision:

$$\frac{\text{Hauteur ou largeur de la cible en yards} \times 1000}{\text{Hauteur ou largeur de la cible en Mils}} = \text{Portée en yards}$$
$$\frac{\text{Hauteur ou largeur de la cible en mètres} \times 1000}{\text{Hauteur ou largeur de la cible en Mils}} = \text{Portée en mètres}$$

● SPECIFICHE

- Grado d'impermeabilità 'IPX6 (impermeabilità all'acqua); tratto ottico riempito di gas
- Si accetta l'uso di cartuccia extra potente, capacità della canna fino a 6000 J (.375 H&H, .416 Rigby, 416 Rem. Magnum)
- Distanza massima di localizzazione fino a 700 m
- Seria convertitore di immagine elettronica (CIE) (2+) il dispositivo e' efficace praticamente in tutte le condizioni d'illuminazione notturna nonche' a quella dei livelli inferiori (10⁻⁴ lux il cielo nuvoloso notturno)
- Alto contrasto e qualità d'immagine su tutto lo schermo CIE
- Protezione CIE di livello superiore
- Ottica di alta efficienza, magnificazione 3x/4x ottima
- Minima distanza d'osservazione 5 m
- Cinque (tré - per CIE di titolo EPM221G) configurazioni di visore: la scelta ed accensione immediata
- Regolazione d'intensità' calibro continua
- Selezione d'attacco che consente a sistemare il cannocchiale ad ogni modello di fucile da caccia
- Alimentatore stabilizzato, consumo energia ottimizzato, senza spostamento del segno alla batteria scaricata gradualmente (nonche' alla temperatura d'aria in discesa)
- Auto gestione della batteria singola del titolo AA (1,5V) oppure CR123 (3V) (permissa batteria di accumulatori 1,2V, uguale al titolo AA)
- Posizione verticale della batteria assicura l'alimentazione per sparare
- Identificazione dello scarico di batteria: flash preventivo del segno 30 minuti prima di auto interruzione
- Design ergonomico: posizione di comando mirino superiore
- Illuminazione a fuoco IR staccabile
- Telecomando a contatto extra efficace
- Piastrina laterale ausiliaria
- Astuccio d'obiettivo da non perdere
- Bottone d'accensione immediata
- Peso inferiore, costruzione dai materiali solidi: carbone/plastico ed altri materiali plastici di tecnologie avanzate



CARATTERISTICHE TECNICHE

MODELLO#	76057T	76058T	76067T	76068T
MODELLO MIL-DOT#	76157T	76158T	76167T	76168T
Caratteristiche della parte ottica				
Magnificazione visuale, x	3	4	3	4
Obiettivo	50 mm, F / 1.63 60 mm F / 1.68 50 mm, F / 1.63 60 mm F / 1.68			
Generazione di convertitore di immagine elettronica (CIE)	2+	2+	2+	2+
Titolo di CIE	EPM221G-00-11 *	DEP	1441* DEP	1441*
Risoluzione lineare, linea/mm, min	45	45	45	45
Allontananza pupilla d'uscita, mm	50	50	53	53
Angolo visuale dell'obiettivo, grado	11/20	9/15,7	13/23	11/19
Distanza massima di localizzazione, m**	600	700	600	700
Limite fuocolare, diottria	±3,5	±3,5	±2,5	±2,5
Distanza minima d'osservazione, m	5	8	5	8
Caratteristiche operative				
Cellula alimentazione/tensione nominale, V	1,5V (1xAA) o 3V (1xCR123A)			
Tempo di funzionamento continuo a batteria singola, ore (IR illuminazione disabilitata) AA**/ CR123	15/24	15/24	15/24	15/24
Tempo di funzionamento continuo a batteria singola, ore (IR illuminazione abilitata) AA**/ CR123	5/8	5/8	5/8	5/8
Grado di protezione, codice IP (IEC 60529)	IPX6	IPX6	IPX6	IPX6
Scala di temperatura	-30 ° ... +40 °			
Dimensioni, mm:				
Lunghezza	278	320	257	288
Larghezza	95	95	95	95
Altezza	103	103	103	103
Peso senza attacco, kg	>1,0	>1,0	>1,0	>1,0
Possibilità di montaggio convertitore di lente NV 1,7x	Si	No	Si	No

* Il cannocchiale utilizza questi convertitori di immagine elettronica o CIE analoghi.

** Distanza massima di localizzazione di un oggetto di 1,7x0,5 m, all'illuminazione notturna 0,05 lux (luna quarto).

*** Si consiglia l'uso della batteria AA "Alkaline" per il periodo di funzionamento prolungato. Caratteristiche e specifiche sono soggette a migliorie e cambiamenti.

● CONTENUTO DELLA CONFEZIONE

- Strumento assemblato
- Astuccio
- Telecomando
- Manuale d'Uso
- Garanzia

OU
 Hauteur ou largeur de la cible en cm x 10 _____ = Portée en mètres
 Hauteur ou largeur de la cible en Mils
 Exemple:
 $\frac{1,33 \text{ yards} \times 1000}{2,5 \text{ mils}} = \frac{1330}{2,5} = 532 \text{ yards}$

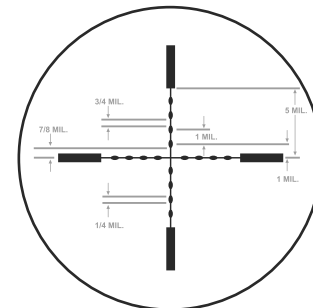
- Lorsque vous réalisez des ajustements d'élevation, veuillez noter qu'un click d'ajustement du viseur, équivaut à:

Pour le modèle Phantom 3x50:

0,527 MOA;
 0,5519"/100yds;
 1,533cm/100m

Pour le modèle Phantom 4x60:

0,4235 MOA;
 0,4435"/100 yds;
 1,232cm/100m



1 mil (millirad) équivaut à : 3.6 pouces à 100 yards ou 36 pouces à 1,000 yards, ou 10 cm à 100m, ou 1m à 1,000m. 1 millirad (1 mil) = 0,001 d'une distance = 3,4377 MOA

Pour davantage d'information sur l'utilisation du réticule Mil-Dot (tableau de références, calculs, etc...) peuvent être trouvés sur les liens suivants:

<http://www.mildot.com>
http://www.mil-dot.com/Mil_Dot_User_Guide.htm
<http://www.shooterready.com/mildot.swf>

● VISITE TECHNIQUE

Lors de la visite technique, recommandée chaque fois avant d'aller à la chasse, il faut faire obligatoirement ce qui suit:

- Contrôle extérieur de l'appareil (les fissures, enfoncements profonds, traces de rouille ne sont pas admissibles).
- Contrôle de la régularité et de la sûreté de fixation du viseur sur l'arme (le jeu dans la fixation est inadmissible).
- Contrôle de l'état des lentilles de l'objectif, de l'oculaire et de l'éclairage infrarouge (les fissures, taches grasses, saleté, gouttes d'eau et d'autres dépôts sont inadmissibles).
- Contrôle de l'état des piles d'alimentation et des contacts électriques du compartiment de batteries (la batterie ne doit pas déchargée: les traces d'électrolyte, de sels et d'oxydation sont inadmissibles).
- Contrôle de la sûreté du fonctionnement du commutateur des régimes de travail (3), du régulateur de luminosité de la marque de mire (4); des boutons de sélection des marques de mire (5); et de la mise en fonctionnement rapide (11).
- Contrôle du douceur de fonctionnement du régulateur de focalisation de l'objectif (6), de la bague d'oculaire (7) et de la blende d'éclairage infrarouge (8).

● ENTRETIEN TECHNIQUE

L'entretien technique se fait au moins deux fois par an et consiste en ce qui suit:

- Nettoyer les surfaces extérieures des pièces métalliques et plastiques de la poussière, des boues et de l'humidité; les essuyer avec une serviette à conton, légèrement imbibé d'huile d'arme ou de vaseline.
- Nettoyer les contacts électriques du compartiment de batteries, en utilisant n'importe quel dissolvant organique non-gras.
- Examiner les lentilles d'oculaire, de l'objectif et de l'éclairage infrarouge; enlever soigneusement la poussière et le sable; en cas nécessaire nettoyer leurs surfaces extérieures.

● UTILISATION DE LA TELECOMMANDE

Le viseur Phantom vision nocturne est livrée avec une télécommande. La console dispose de trois boutons:

- bouton «**ON**» allume et éteint le viseur (mise en fonction en appuyant).
- bouton «**IR / torche infrarouge**» allume et éteint la torche infrarouge intégrée (mise en fonction en appuyant).
- bouton «**Quick start / démarrage rapide**» - pour démarrer rapidement le viseur et la torche IR (l'appareil est en fonction uniquement lorsque le bouton est maintenu appuyé). Après que le bouton «**Quick start / démarrage rapide**» soit relâché, le viseur s'éteint, la torche IR et le réticule disparaissent.

● EMPLOI DU CONVERTISSEUR DE LENTILLE NV 1,7x

L'emploi du convertisseur de lentille NV 1,7x (#79091) permet d'agrandir le grossissement du viseur "Phantom" avec le diamètre de l'objectif de 50 mm à 1,7 fois. L'convertisseur est vissé dans l'objectif du viseur. Au cours du montage utilisez le guide d'emploi du convertisseur. A cause du déplacement possible du point de mire, après le montage du convertisseur, il est nécessaire d'effectuer le réglage du tir du viseur.

● EMPLOI DE LA PLANCHE WEAVER SUPPLEMENTAIRE

Le viseur a une planche Weaver (14) supplémentaire montée sur son corps à côté gauche. Avec cette planche vous pouvez monter en supplément les appareil suivants:

- Torche infrarouge Pulsar-805 (#79071).

● CONSERVATION

Conservez toujours l'appareil dans son étui, dans un endroit sec et bien aéré. Pour la conservation de l'appareil d'une longue période la pile devra être retirée.

● DÉPANNAGE

Le tableau présente la liste des dérangements eventuels pouvant apparaitre au cours de l'utilisation du viseur.

Dérangements	Cause	Réparation
Le viseur ne se met en marche.	L'installation incorrecte de la batterie.	Installer la batterie suivant le marquage.
	La tension sommaire de la batterie est moins de 2,0V.	Remplacer la batterie.

Problema	Causa posible	Reparación
El visor no se enciende.	Están oxidados los contactos en el contenedor de las baterías - "se derramaron" las pilas o a los contactos cayó un líquido químicamente activo.	Limpie el contenedor de las baterías, limpie los contactos.
Hay una imagen imprecisa de la marca roja - no resulta enfocar el ocular.	Para la corrección de su vista hace falta un gasto de dioptrías del ocular.	Si Ud. utiliza lentes con una fuerza de las lentes de más de +/-5, entonces Ud. debe mirar en el ocular del visor a través de los lentes.
Quando hay una imagen precisa de la marca roja, se tiene una imagen imprecisa del objetivo que se encuentra a una distancia de no menos de 30 m.	Hay polvo y humedad en las superficies ópticas externas del objetivo y del ocular. Hay humedad en las superficies ópticas internas del objetivo y del ocular, en las superficies ópticas del COE - que ha sido posible durante el traslado del visor desde el frío a un local cálido.	Frote las superficies ópticas con una servilleta suave de algodón. Seque el visor - déjelo estar 4 horas en un local cálido.
	La tensión total de la baterías es menor que 2,0 V.	Reemplace la batería.
Hay diferentes pequeños puntos negros precisos en el campo visual con una imagen precisa del objeto.	Los puntos en la pantalla del COE están condicionados por la tecnología de su fabricación, no influyen en su capacidad de funcionamiento y en su seguridad. Los tamaños de los puntos están determinados en las condiciones técnicas del COE y del instrumento.	No hay razones para la devolución.
El visor o la iluminación infrarroja no se apagan con la manilla del interruptor que hay en el visor.	El visor está conectado desde el mando de control remoto (MCR).	Apague el instrumento y la iluminación infrarroja, presionando los botones del MCR.
Se desvía la marca durante el tiro.	No hay rigidez en la colocación del visor sobre el arma.	Revise la rigidez de la colocación del visor. Asegúrese que Ud. está utilizando precisamente aquel tipo de municiones con los que antes hizo el réglaje de tiro de su arma y del visor. Si Ud. régló el visor en verano, y lo explota en invierno (o al revés), entonces no se excluye un cierto cambio del punto cero del réglaje.
El visor no se enfoca.	Está incorrectamente ajustado.	Ajuste el instrumento en conformidad con el capítulo "Utilización del visor". Revise las superficies externas de los lentes del objetivo y del ocular; en caso de necesidad límpielas del polvo, del condensado, de la escarcha, etc. Durante el tiempo frío Ud. puede utilizar recubrimientos especiales contra el empañamiento (por ejemplo, tal como para lentes correctivos).

● PANEL DE CONTROL REMOTO (a distancia)

El Phantom viene con un panel extraíble del control remoto. En el panel hay tres botones:

- Botón **"ON"** - conexión / desconexión del visor (fijado cuando está presionado);
- Botón **"IR"** - conexión / desconexión de la linterna infrarroja (fijado cuando está presionado);
- Botón **"Quick start"** - conexión del visor y del iluminador IR rápido (el visor funciona solamente cuando el botón está presionado). Después de que este botón es liberado, el visor apaga, el Iluminador de IR y el retículo se apagan, salen.

● UTILIZACIÓN DEL CONVERTIDOR DELENTE NV 1,7x

La utilización del convertidor de lente NV1,7x (#79091) permite aumentar la ampliación del visor "Phantom" con el diámetro del objetivo 50 mm en 1,7 veces. El convertidor se atornilla en el objetivo del visor. Durante la instalación utilice la instrucción para el convertidor. A causa del posible desplazamiento del punto del enfoque, después de colocar el convertidor, obligatoriamente hay que llevar a cabo el tiro de ajuste del visor.

● UTILIZACIÓN DE LA ALZA ADICIONAL WEAVER

El visor posee el alza adicional Weaver (14), que está colocada en su caja a la izquierda. Con ayuda de la alza, Ud. puede colocar adicionalmente instrumentos como:

- El Iluminador IR Pulsar-805 (#79071).

● ALMACENAMIENTO

Siempre hay que conservar el visor solamente en el estuche, en un local seco, con ventilación. Durante un almacenamiento prolongado, extraiga la batería de alimentación.

● LOCALIZACIÓN DE PROBLEMAS

En la tabla se exponen los posibles problemas que pueden surgir durante la explotación del visor. Lleve a cabo la comprobación y la corrección recomendadas de acuerdo al procedimiento indicado en la tabla. Si en la lista indicada no estuviera expuesto un problema o la acción indicada para la eliminación del desperfecto no da resultado, comuníquelo al fabricante.

Problema	Causa posible	Reparación
El visor no se enciende.	La batería está colocada incorrectamente.	Coloque la batería de acuerdo con la marcación.
	La tensión total de la batería es menor que 2,0 V.	Reemplace la batería.

Dérangements	Cause	Réparation
Le viseur ne se met en marche.	Les contacts dans le container des batteries sont oxydés les batteries "se coulent" ou le liquide chimiquement actif a été sur les contacts.	Nettoyer le container des batteries, dénuder les contacts.
L'image de la marque rouge n'est pas nette - on n'arrive pas de viser l'oculaire.	Le manque du débit dioptrique de l'oculaire pour la correction de votre vue.	Si vous portez les lunettes à puissance dépassant ± 5 , observez par l'oculaire du viseur avec vos lunettes.
A une bonne image de la marque rouge une mauvaise image de l'objet éloigné pas moins de 30 m.	La poussière et l'humidité sur les surfaces optiques extérieures de l'objectif et de l'oculaire.	Nettoyer avec une serviette molle à contour les surfaces optiques extérieures.
	Apparition de l'humidité sur les surfaces intérieures de l'objectif et de l'oculaire, sur les surfaces optiques de l'appareil au moment du placement du viseur du froid au local chaud.	Secher le viseur et le laisser dans le local chaud depuis 4 heures.
	La tension sommaire est moins de 2,0 V.	Remplacer la batterie.
De petits points noirs nets au champ de vision à l'image nette de l'objectif.	Les points sur l'écran de l'appareil conditionnés par la technologie de sa fabrication et n'influent pas à la capacité et sûreté du fonctionnement. La grandeur des points est déterminée par les conditions techniques des convertisseurs d'image électronique et de l'appareil.	Pas de causes de retour.
Le viseur ou l'éclairage infrarouge ne sont pas coupés avec le régulateur d'arrêt sur le viseur.	Le viseur est branché sur le pupitre de commande à distance (PCD).	Arrêter l'appareil et l'éclairage infrarouge en appuyant les boutons du PCD.
La marque de pointage s'écarte au moment du tir.	Le montage du viseur sur le fusil n'est pas rigide.	Vérifier la rigidité du montage du viseur. Assurez-vous que vous utilisez un tel type de cartouches que vous avez utilisé auparavant au réglage par tir de vos fusil et viseur. Si vous avez réglé le viseur en été mais l'utilisez en hiver (ou au contraire) alors il n'est pas exclu un certain changement du point zéro de mire.
Le viseur ne focalise pas.	Réglage incorrecte.	Regler l'appareil suivant le chapitre "Guide d'emploi du viseur". Vérifier les surfaces extérieures des lentilles de l'objectif et de l'oculaire; en cas nécessaire les nettoyer de la poussière, du condensat, du givre etc. Au temps froid utiliser les moyens de protection spéciaux (par exemple, les lunettes de correction).

● TECHNISCHE DATEN

MODELL#	76057T	76058T	76067T	76068T
MODELL MIL-DOT#	76157T	76158T	76167T	76168T

Optische Kenndaten:

Visuelle Vergrößerung, x	3	4	3	4
Objektiv	50 mm, F / 1.63 60 mm F / 1.68 50 mm, F / 1.63 60 mm F / 1.68			
Generation der elektro-optischen Verstärkerröhre (EOV)	2+	2+	2+	2+
Typ der EOV	EPM221G-00-11 * DEP 1441* DEP 1441*			
Auflösungsvermögen, Linien/mm, min.	45	45	45	45
Austrittspupillenabstand, mm	50	50	53	53
Sichtfeldwinkel, Winkelgrad	11/20	9/15,7	13/23	11/19
Max. Entdeckungsdistanz, m**	600	700	600	700
Dioptrieneinstellung, Dioptrien	±3,5	±3,5	±2,5	±2,5
Naheinstellung, m	5	8	5	8

Betriebsparameter:

Batterietyp/ Betriebsspannung, V	Auf Wahl: 1 AA / 1.5V // 1 CR 123/ 3V			
Zeit des Dauerbetriebs mit einem Batteriesatz, Stunden (IR-Leuchte ist ausgeschaltet) AA**/ CR123	15/24	15/24	15/24	15/24
Zeit des Dauerbetriebs mit einem Batteriesatz, Stunden (IR-Leuchte ist eingeschaltet) AA**/ CR123	5/8	5/8	5/8	5/8
Schutzklasse, Code IP (IEC 60529)	IPX6	IPX6	IPX6	IPX6
Betriebstemperatur	von - 30° bis + 40°			
Abmessungen, mm:				
Länge	278	320	257	288
Breite	95	95	95	95
Höhe	103	103	103	103
Gewicht ohne Montage, kg	>1,0	>1,0	>1,0	>1,0
Verenbar mit dem Linsenkonverter NV 1,7x	ja	nein	ja	nein

* Statt dieser EOV können auch gleichartige EOV verwendet werden.

** Max. Entdeckungsdistanz von einem Objekt mit Abmessungen 1,7x0,5 m bei der natürlichen Nachtbeleuchtungsstärke 0,05 lx (1/4 Mond).

*** Es ist empfehlenswert, die Batterien AA "Alkaline" zu verwenden, da sie sich durch die längste Betriebsdauer auszeichnen.

Änderung des Designs zwecks höherer Gebrauchseigenschaften vorbehalten.

● LIEFERUMFANG

- Das Gerät komplett
- Aufbewahrungstasche
- Fernsteuerpult
- Gebrauchsanleitung
- Garantieschein

- Haciendo las correcciones utilizando los mecanismos de ajuste del visor, hay que tener en cuenta que un capirotazo corresponde a:

Para el modelo Phantom 3x50: 0,527 MOA (minuta de ángulo); 0,5519"/100yds; 1,533cm/100m

Para el modelo Phantom 4x60: 0,4235 MOA; 0,4435"/100 yds; 1,232cm/100m

La subtenisión de 1 mil equivale a 3,6 pulgadas a 100 yardas o 36 pulgadas a 1,000 yardas.

En unidades metricas, la correspondencia es que 1 mil equivale a 10 centimetros a 100 metros o 1 metro a 1,000 metros. 1 Milirradian (1 mil) = 0,001 de la distancia = 3,4377 MOA.

Detalles sobre el uso de la retícula Mil-Dot (tablas de referencia, calculadores etc.) se puede encontrar sobre las referencias (en inglés):

<http://www.mildot.com>

http://www.mil-dot.com/Mil_Dot_User_Guide.htm

<http://www.shooterready.com/mildot.swf>

● REVISIÓN TÉCNICA

Durante la revisión técnica, que se recomienda antes de cada salida a cazar, sin falta revise:

- El estado del instrumento por fuera (no se permiten grietas, abolladuras profundas y huellas de corrosión).
- La justeza y la confiabilidad de la fijación del visor al arma (en forma categórica no se permiten los juegos).
- El estado de las lentes del objetivo, del ocular y del foco infrarrojo (no se permiten grietas, manchas grasosas, suciedad, gotas de agua y otros sedimentos).
- El estado de los elementos de alimentación y de los contactos eléctricos de la sección de las baterías (la batería no debe estar descargada; no se permiten huellas del electrolito, de sales y de oxidación).
- La confiabilidad de los selectores de modos de funcionamiento (3), del regulador del brillo de la marca de puntería (4); de los botones de elección de la marca (5) y del encendido instantáneo (11).
- La fluidez del movimiento de la manilla del enfoque del objetivo (6), del anillo del ocular (7) y del tapa objetivo del foco infrarrojo (8).

● MANTENIMIENTO TÉCNICO

El mantenimiento técnico se lleva a cabo no menos de dos veces al año y consiste en la realización de los puntos expuestos a continuación:

- Limpie el polvo, la suciedad y la humedad de las superficies metálicas externas y las piezas de plástico; frotelas con una servilleta de algodón ligeramente empapada con aceite para armas o con vaselina.
- Limpie los contactos eléctricos del compartimiento de las pilas, utilizando cualquier disolvente orgánico no grasoso.
- Revise los lentes del ocular, del objetivo y del foco infrarrojo; saque con cuidado el polvo y la arena; si fuera necesario limpie sus superficies externas.

- Si el centro del blanco no coincide con el punto de puntería (el centro del cruce de la marca roja de puntería), entonces, habiendo desatornillado los casquetes en los discos de comprobación (13), por medio del giro de los discos R y UP obtenga una coincidencia del centro del blanco con el centro del cruce de la marca de puntería.
- Lleve a cabo 3-4 tiros de control, cuidadosa y uniformemente apuntando al punto de puntería.
- Determine la precisión del tiro y la posición del punto medio de impacto (PMI); al haber una desviación del PMI hacia alguno de los lados en más de una magnitud permisible, por medio del giro del disco de comprobación (por la vertical - UP, por el horizonte - R), obtenga una coincidencia del PMI con el punto de puntería. Al mismo tiempo hay que tener en cuenta que un capriotezo durante el giro del disco corresponde al desplazamiento de la marca en 16,5/13,5 mm a una distancia de 100 m.
- Revise la corrección de la comprobación del tiro repetido.
- El visor ha sido reglado a la distancia elegida.

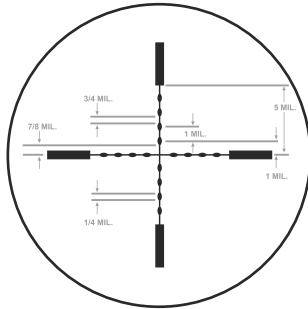
● RETÍCULA MIL-DOT

Vuestro visor de visión nocturna Phantom tiene una retícula Mil-Dot que permite calcular la distancia al blanco con considerable precisión si Ud conoce el tamaño del blanco.

Cómo usar una retícula Mil-Dot:

Para usar la retícula Mil-Dot, es necesario conocer el tamaño real del blanco.

- Vea el blanco a través del visor.
- Coloque el borde de uno de los postes contra uno de los bordes (superior, inferior o laterales) del blanco de manera que la cruz de filamentos se extienda a lo largo de la anchura o de la altura.
- Con ayuda de los puntos, mida a lo largo de la cruz de filamentos hasta el borde opuesto del blanco. Después de determinar las dimensiones del blanco en mil, se puede calcular la distancia. Esto se puede hacer en dos maneras consultando las tablas o mediante el uso de la fórmula siguiente:



$$\frac{\text{Altura o anchura de blanco en Yardas} \times 1000}{\text{Altura o anchura de blanco en milirradiañes}} = \text{Distancia al blanco en yardas}$$

$$\frac{\text{Altura o anchura de blanco en metros} \times 1000}{\text{Altura o anchura de blanco en milirradiañes}} = \text{Distancia al blanco en metros}$$

$$\frac{\text{Altura o anchura de blanco en cm} \times 10}{\text{Altura o anchura de blanco en milirradiañes}} = \text{Distancia al blanco en metros}$$

Ejemplo:

$$\frac{1,33 \text{ yardas} \times 1000}{2,5 \text{ milirradiañes}} = \frac{1330}{2,5} = 532 \text{ Yardas}$$

● MERKMALE

- Dichtheitsklasse IPX6 (wasserdicht); optisches Übertragungssystem ist gasgefüllt
- Zulässig ist die Anwendung der besonders starken Patronen, mit Mündungsenergie bis 6000 J. (.375 H&H, .416 Rigby, .416 Rem. Magnum)
- Maximale Entdeckungsdistanz bis zu 700 Meter
- Elektro-optische Verstärkerröhre (EOV) der Generation 2+: das Gerät, das praktisch unter beliebigen Bedingungen der natürlichen nächtlichen Beleuchtungsstärke, einschließlich bei ihrem äußerst niedrigen Niveau (10^{-4} lx - der bewölkte Nachthimmel) effektiv ist
- Das hohe Auflösungsvermögen und die hohe Qualität des Bildes im ganzen Feld des Bildschirms von EOY
- Der EOY-Schutz von der Überschreitung des allgemeinen Niveaus der Beleuchtungsstärke
- Die hochwertige lichtstarke Optik mit optimaler drei-, viermaliger Vergrößerung
- Die minimale Distanz der Beobachtung ist 5m
- Fünf (drei - bei Verwendung der EOY des Typs EPM221G) Konfigurationen der roten Zielmarke: die Auswahlmöglichkeit und Momentumschaltung
- Die stufenlose Regulierung der Markenelligkeit
- Die Wahl der Befestigungen, die es ermöglichen, das Visier praktisch an jede Jagdwaffe zu montieren
- Die stabilisierte Energieversorgungseinheit: optimierter Energieverbrauch, keine Verschiebung des Haltepunktes bei der allmählichen Batterieentladung (und bei der Temperatursenkung)
- Autonomes Gerätesfunktionieren mit einer Batterie AA (1,5V) oder CR123 (3V) (zulässig ist die Anwendung der Akkumulatorenbatterie 1,2V, die der Batterie AA äquivalent ist)
- Die senkrechte Anordnung der Batterie - Sicherheit der Energieversorgung beim Schießen
- Die Anzeige der Batterieentladung: das Warmblinken der Zielmarke vor 15 - 30 Minuten vor der automatischen Ausschaltung des Gerätes
- Ergonomisches Design - die Visierleitungstasten sind oben auf dem Gehäuse
- Die fokussierte leicht abnehmbare IR-Beleuchtung
- Das Fernbedienungspult mit dem Stecker der erhöhten Zuverlässigkeit
- Die zusätzliche Seitenleiste Weaver
- Der nicht verlierbare Deckel des Objektivs
- Die Taste des Momentaneinschaltens
- Leichtes Gewicht und Festigkeit sind durch Anwendung der Kohlenplaste und anderer modernen Plattenarten erreicht



Das Nachtsicht-Zielfernrohr Phantom ist ein kompliziertes hoch modernisiertes optisch-elektronisches Gerät.

Wir empfehlen Ihnen inständig vor dem Einschalten des Zielfernrohres die Gebrauchsanleitung sorgfältig zu lesen.

Die Nichtanhaltung an die Empfehlungen und Hinweise, die in der Gebrauchsanleitung geschrieben sind, kann schnellen Ausfall des Gerätes und gleichzeitigen Verlust des Rechtes auf die Garantiereparatur verursachen!

● GEBRAUCHSANLEITUNG

Das Nachtsicht-Zielfernrohr "Phantom" ist für Beobachtung und Zielschießen in Dämmerung und bei Nacht bestimmt. Es ist ein passives Gerät, das meistens ohne künstliche Lichtquellen sicher funktioniert. Aber bei voller Dunkelheit (keine Sterne und kein Mond) ist die Möglichkeit der Anwendung der eingebauten IR-Leuchte nicht ausgeschlossen. Ihr Zielfernrohr "Phantom" ist ein universales Gerät für Nachtsehen, das ideal zu verschiedenen Bereichen für die berufliche und Laienanwendung passt, einschließlich:

- Nachtbeobachtung und Jagd
- Schutz und Sicherheit
- Such - und Rettungsmaßnahmen

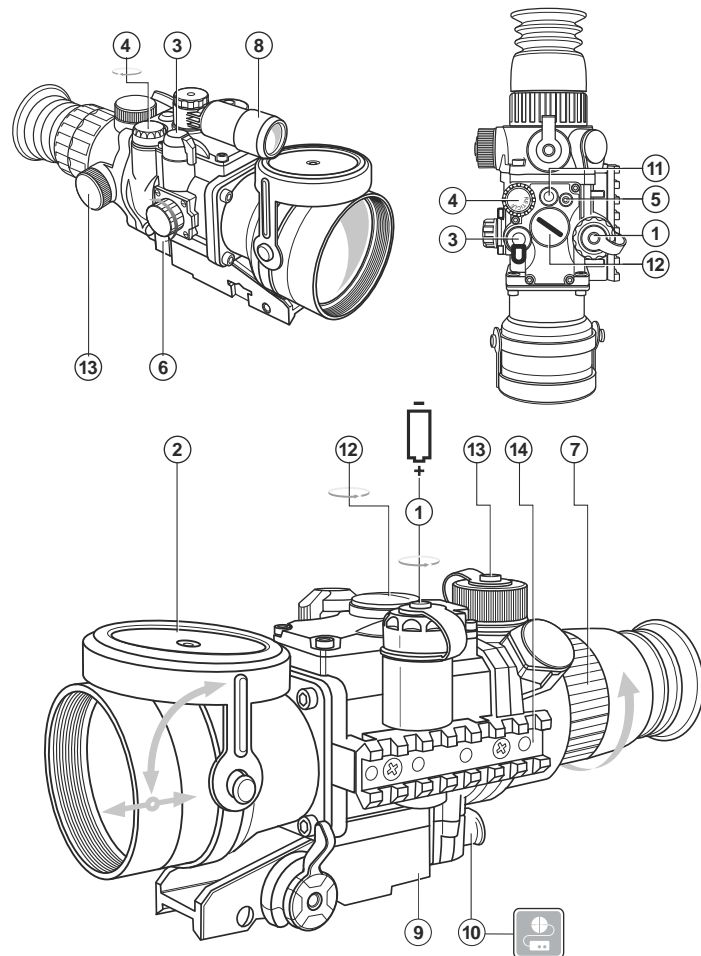
● BESONDERHEITEN DES BETRIEBS

Das Nachtsicht-Zielfernrohr "Phantom" ist für eine dauerhafte Anwendung bestimmt.

- Um die Dauerhaftigkeit und die volle Leistungsfähigkeit des Gerätes zu gewährleisten, soll man sich an folgende Hinweise halten: schalten Sie das Zielfernrohr mit dem geöffneten Objektivdeckel bei der Beleuchtungsstärke über 1 Lux (tiefe Dämmerung) nicht ein, richten Sie es nie auf helle Lichtquellen! Tageslicht, Scheinwerfer des Autos oder so eine Lichtquelle wie Schweißen oder Lagerfeuer können unverbesserlich die Arbeitswirksamkeit und seine Ressource herabsetzen.

Einige Beispiele von Beleuchtungsstärketypen, Lux

Bedingungen	Die natürliche Beleuchtungsstärke im Gelände, Lux
Kein Mond, bewölkt	10^{-4} (0,0001)
Sternhimmel, kein Mond, unbewölkt	10^{-3} (0,001)
Viertel des Mondes, unbewölkt	0,05
Vollmond, unbewölkt	$0,38 \times 0,4$
Tiefe Dämmerung	1,0
Dämmerung	10
Trüber Tag	500



- Girando la manilla del anillo del enfoque del objetivo (6), obtenga una visión nítida de la imagen del blanco.
- Instale el brillo óptimo de la marca de puntería con ayuda del regulador (4).

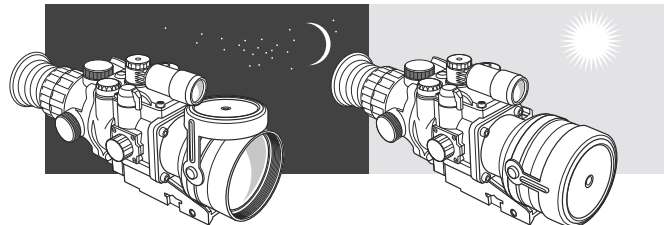
● UTILIZACIÓN DEL VISOR

- Instale la batería en correspondencia con las indicaciones de la parte "Instalación de la batería".
- Entre en una zona oscura.
- Quite la tapa **(2)** del objetivo, desplazándola sobre el casco del objetivo.
- Encienda el instrumento, girando la manilla **(3)** a la posición "ON" - comienza a iluminarse la pantalla verde del COE. Ud. también puede revisar el visor en una zona iluminada. Este modo de funcionamiento está previsto exclusivamente para la revisión de la capacidad de trabajo del instrumento; la tapa **(2)** debe estar ajustadamente colocada en el objetivo.
- Para la regulación del brillo de la marca roja de puntería haga girar la manilla **(4)**.
- Para elegir una de las cinco (tres - para el COE del tipo EPM221G) configuraciones de la marca roja de puntería presione el botón **(5)**.
- Elija un objeto inmóvil de observación, que esté alejado a una distancia de 100 m.
- Coloque la manilla de enfoque del objetivo **(6)** enfrente de la marca "100", - un esfuerzo más elevado de fijación va a evidenciar esto.
- Observe el objeto elegido a través del visor; haga girar el anillo de enfoque del ocular **(7)** hasta obtener la calidad máxima de imagen.
- En caso de necesidad encienda el foco infrarrojo. Para ello haga girar la manilla **(3)** a la posición "IR".
- Gire el tapaobjetivo del foco infrarrojo **(8)** hasta obtener el enfoque necesario de la mancha de luz.
- Después del ajuste indicado, independientemente de la distancia y de otras condiciones, no se necesita hacer girar el anillo del ocular **(7)**. Ajuste la calidad de la imagen solamente con el giro de la manilla de enfoque del objetivo **(6)** y del tapaobjetivo del foco infrarrojo **(8)**.
- Al terminar el uso, apague el visor haciendo girar la manilla **(3)** a la posición "OFF". Cierre el objetivo del instrumento con ayuda de la tapa **(2)**.
- Ud. puede instalar el visor en el arma con ayuda de un soporte especial **(9)**.
- Después de la primera instalación de su visor en el arma, es necesario llevar a cabo las recomendaciones del capítulo "Reglaje de tiro del visor para el arma".
- Un encendido instantáneo del visor puede llevarse a cabo con ayuda del panel extraíble que está unido al asiento **(10)** o con ayuda del botón de encendido instantáneo **(11)**.
- Para desarmar el foco infrarrojo, desatorille el tornillo **(12)**.

● EL REGLAJE DE TIRO DEL VISOR PARA EL ARMA

El reglaje de tiro del visor se recomienda llevarlo a cabo con una temperatura de explotación del visor en el siguiente orden:

- Coloque el arma con el visor en la cureña de puntería.
- Asegúrese de la ausencia de fuentes brillantes de luz en el campo de vista del visor.
- Coloque el blanco a una distancia de tiro, por ejemplo, 100 m. La iluminación en la zona del blanco durante el reglaje debe ser de no más de 1 lux.
- Quite la tapa del objetivo, desplazándola sobre el casco del objetivo **(2)**.
- Encienda el visor, instalando el conmutador **(3)** a la posición "ON".
- Dirija el arma al centro del blanco de acuerdo con el visor mecánico.
- Ajuste el visor de acuerdo con las recomendaciones del capítulo "Utilización del visor".



- Bei der Nutzung des Zielfernrohres bei erhöhter Beleuchtungsstärke (der frühe Morgen oder späte Abend), darf man das eingeschaltete Zielfernrohr mit dem geöffneten Deckel im unbeweglichen Zustand über 30 Minuten nicht lassen.
- Bei der Beobachtung der statischen hellen Objekte kann es zum Verbrennen des Luminophors der EOV und Erscheinen im Sehfeld der dunklen Flecken bringen.
- Vergessen Sie nicht, das Zielfernrohr nach der Nutzung auszuschalten!
- Bewahren Sie das Visier mit dem auf das Objektiv aufgeschobenen Lichtschutzdeckel in der Aufbewahrungstasche auf.
- Das Zielfernrohr hat einen erhöhten Schutz vor Feuchtigkeit IPX6 und kann bei den Niederschlägen jeder Intensität betrieben werden. Tauchen Sie das Visier ins Wasser nie ein!
- Es ist verboten, das Garantiezifernrohr selbständig zu reparieren und zu demontieren!
- Reinigen Sie optische Außenteile sehr vorsichtig und nur im Falle der dringenden Notwendigkeit. Zuerst entfernen (wischen oder abstäuben) Sie vorsichtig den Staub und Sand von der optischen Oberfläche. Für die Reinigung benutzen Sie ein sauberes Baumwolltuch (Wattenstäbchen) und spezielle Mittel für die Linsen mit den Vielfachschichten oder Spiritus. Gießen Sie nie die Flüssigkeit direkt auf die Linse! Das Visier kann man im breiten Temperaturbereich von Minus 30°C bis Plus 40°C verwenden. Aber wenn das Zielfernrohr von der Kälte in den warmen Raum getragen ist, schalten Sie es im Laufe von 3-4 Stunden nicht ein.
- Wenn es Ihnen nicht gelang, bauen Sie leicht und sicher (ohne Luft, direkt längs der Linie des Laufes) das Zielfernrohr an das Gewehr ein; oder wenn Sie daran zweifeln, dass es richtig befestigt ist, wenden Sie sich unbedingt an spezialisierte Gewerwerkstatt. Das Schießen mit falsch eingebautem Visier kann zum Markenabkommen oder keiner Möglichkeit des Zielens bringen!
- Für die Sicherung des störungsfreien Betriebs, die Vorbeugung und Beseitigung der Gründe, die den vorzeitigen Verschleiß oder den Ausfall der Blockteile oder Teile verursachen kann, ist die technische Besichtigung und die Wartung des Visiers rechtzeitig durchzuführen.

● BATTERIE EINLEGEN

- Schrauben Sie gegen den Uhrzeigersinn den Deckel des Batteriefaches **(1)** ab.
- Legen Sie die Batterie AA (1,5 V) oder CR123 (3 V) auf solche Weise ein, dass (+) und (-) der Markierung auf dem Gehäuse entsprechen.
- Schrauben Sie den Deckel **(1)** zu.

● NUTZUNG DES ZIELFERNROHRES

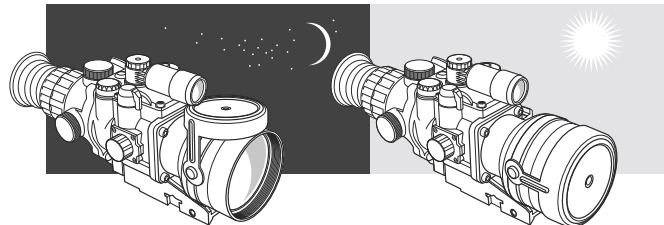
- Legen Sie die Batterie laut Hinweisen des Abschnitts "Batterie einlegen" ein. Kommen Sie in die dunkle Zone hinein.
- Nehmen Sie den Deckel des Objektivs, der auf das Gehäuse des Objektivs geschoben ist, ab **(2)**.

- Schalten Sie das Gerät ein. Wenn Sie den Griff (3) in die Position "ON" bringen, fangt die grüne Anzeige der EOv an zu leuchten.
- Diese Arbeitsweise ist nur für die Kontrolle der Arbeitsfähigkeit des Gerätes vorgesehen, dabei soll der Deckel (2) auf das Objektiv fest aufgesetzt sein.
- Für das Helligkeitsregulieren der roten Visiermarke drehen Sie den Griff (4) um.
- Für das Auswählen einer der fünf (drei - bei Verwendung der EOv des Typs EPM221G) Konfigurationen der roten Visiermarke drücken Sie die Taste (5). Wählen Sie das unbewegliche Beobachtungsobjekt, das etwa 100 Meter entfernt ist.
- Stellen Sie den Griff der Fokussierung des Objektivs (6) auf "100" ein, - davon wird ihre erhöhte Fixierungskraft zeugen.
- Beobachten Sie das gewählte Objekt durch das Zielfernrohr, drehen Sie den Ring der Fokussierung des Okulars (7) bis zum Erhalten der maximalen Qualität des Bildes.
- Falls es notwendig ist, schalten Sie die IR-Leuchte ein (es sollte zuerst installiert werden sein: lassen Sie die Schraube (12) mit dem Schraubenzieher los und schrauben Sie die IR in Urzeigersinn ein). Bringen Sie dafür den Griff (3) in die Position "IR".
- Drehen Sie die IR-Leuchteblende (8) bis zum Erhalten der notwendigen Fokussierung des IR-Lichtflecks um.
- Nach der gegebenen Einregulierung, unabhängig von der Distanz und den sonstigen Bedingungen, ist es nicht erforderlich, den Ring des Okulars (7) zu drehen. Die Qualität des Bildschirmbildes wird nur durch das Drehen des Griffs der Objektivfokussierung (6) und der Blende IR von der Leuchte (8) erreicht.
- Nach der Nutzung des Gerätes schalten Sie das Zielfernrohr aus. Dafür bringen Sie den Griff (3) in die Position "OFF".
- Schließen Sie den Deckel (2) des Objektivs.
- Sie können das Visier auf das Gewehr mit Hilfe des speziellen Befestigungsarmes (9) einbauen. Nach der ersten Installation Ihres Zielfernrohres auf das Gewehr, ist es notwendig, die Empfehlungen des Abschnitts "Einschießen des Zielfernrohres zum Gewehr" zu erfüllen.
- Das Zielfernrohr kann momentan durch das Fernsteuerpult, das zur Steckbuchse (10) angeschlossen ist, oder die Taste für Momentaneinschalten eingeschaltet werden.

● EINSCHIEßEN DES ZIELFERNROHRES ZUM GEWEHR

Es ist empfehlenswert, das Zielfernrohr bei der Temperatur des Visierbetriebs auf folgende Weise einzuschießen:

- Stellen Sie das Gewehr mit dem Zielfernrohr auf eine Einschießmaschine ein.
- Überzeugen Sie sich davon, dass es im Sichtfeld des Zielfernrohres keine hellen Lichtquellen gibt.
- Stellen Sie die Zielscheibe auf eine Einschießreichweite, zum Beispiel, 100 Meter auf. Die Beleuchtungsstärke im Bereich der Zielscheibe beim Einschießen soll nicht mehr als 1 Lux sein.
- Nehmen Sie den auf das Gehäuse des Objektivs geschobenen Deckel des Objektivs ab (2).
- Schalten Sie das Gerät ein, nachdem Sie den Griff (3) in die Position "On" gebracht haben. Stellen Sie das Gewehr in die Zielscheibenmitte dem mechanischen Visier entsprechend auf.
- Stellen Sie das Zielfernrohr laut der Empfehlung des Abschnitts "Nutzung des Zielfernrohres" ein.



- Durante el uso del visor en condiciones de iluminación aumentada (horas de mañana temprana u horas tardías del crepúsculo), no se puede dejar encendido el visor con la tapa abierta en un estado inmóvil por más de 30 minutos.
- Cuando se observan objetos estáticos brillantes puede llevar a la quemazón de la fosforescencia del COE y a la aparición en el campo de visión de manchas oscuras.
- Hay que guardar el visor con la tapa protectora de la luz colocada en el objetivo y en el estuche.
- ¡No se olvide apagar el instrumento después de su uso!
- El visor tiene un grado aumentado de protección contra la entrada de la humedad IPX6 y puede utilizarse en precipitaciones atmosféricas de cualquier intensidad. El visor no está destinado para ser sumergido en el agua.
- ¡Se prohíbe reparar o desarmar el visor cuando esta en período de garantía!
- Hay que llevar a cabo con mucho cuidado y solamente en caso de necesidad evidente la limpieza exterior de las piezas ópticas. Para comenzar, con cuidado elimine (quite o sople) el polvo y la arena de la superficie óptica, después realice la limpieza. Utilice una servilleta limpia de algodón (algodón o un palito de madera), con medios especiales para los lentes con cubiertas poliestratificadas o con alcohol. ¡No vierta el líquido directamente sobre los lentes!
- El visor se puede utilizar dentro de un amplio rango de temperaturas desde -30 °C hasta +40 °C. Sin embargo, si el visor ha sido introducido desde el frío a un local abrigado - no lo encienda en el curso de 3 a 4 horas.
- Si Ud. no logra fácilmente y con seguridad (sin juego, estrictamente a lo largo de la línea del cañón) instalar el visor en el fusil o Ud. tiene dudas de la justeza de la entibación - sin falta diríjase a un taller especializado de armas. ¡El tiro con un visor incorrectamente instalado puede llevar al desvío de la marca o a la imposibilidad del reglaje de tiro!
- Para garantizar un funcionamiento impecable, para la prevención y eliminación de las causas que provocan el desgaste prematuro o el estropeo de los bloques y piezas, es necesario oportunamente llevar a cabo una revisión técnica y el mantenimiento del visor.

● INSTALACIÓN DE LA BATERÍA

- Desatornille contra las agujas del reloj la tapa de la sección de las baterías (1).
- Coloque una batería del tipo AA (1,5 V) o del tipo CR123 (3 V) de manera que (+) y (-) correspondan al marcado en el casco.
- Atornille la tapa (1).

El visor de visión nocturna Phantom es un artículo óptico-electrónico complejo con la aplicación de tecnologías de punta.

Le recomendamos a Ud. con insistencia que estudie con atención las instrucciones antes de conectar el visor.

La inobservancia de las recomendaciones e indicaciones expuestas en las instrucciones de empleo puede llegar a ser la causa del estropeo rápido e incluso momentáneo, con la pérdida simultánea del derecho a una reparación garantizada!

● INSTRUCCIONES DE EMPLEO

El visor de visión nocturna Phantom está destinado a las observaciones y al tiro de puntería en el tiempo de crepúsculo y de noche. Es un instrumento pasivo, que en las condiciones reales de aplicación con seguridad funcionaria sin fuentes artificiales de luz. Sin embargo, en las condiciones de una oscuridad total (ausencia de luz de las estrellas y de la Luna), no se excluye la posibilidad de la utilización del foco infrarrojo empotrado. Su visor Phantom es un instrumento universal de visión nocturna que es conveniente para diferentes esferas para la aplicación profesional y de aficionado, incluyendo:

- Observación y caza nocturna
- Vigilancia y seguridad
- Trabajo de búsqueda y rescate

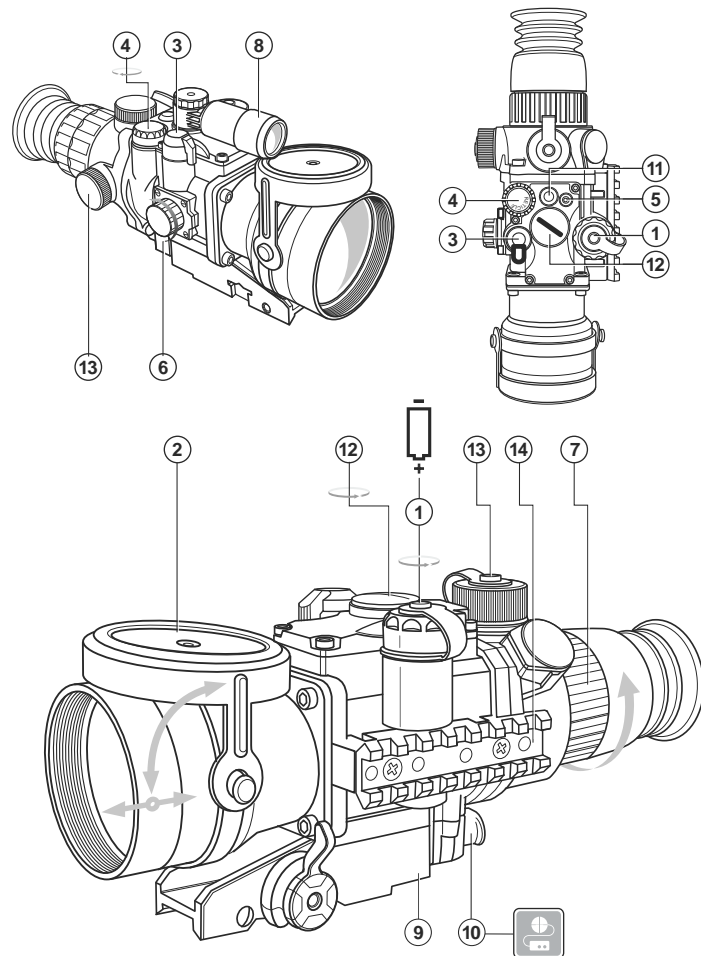
● GUIAS DE OPERACIÓN

El visor de visión nocturna Phantom está destinado para un uso prolongado. Para garantizar la duración y una capacidad completa de trabajo del instrumento, es necesario tener en cuenta las siguientes recomendaciones:

- ¡No encienda el visor con la tapa abierta del objetivo cuando hay una iluminación de más de 1 lux (crepúsculo profundo), no lo dirija hacia una fuente de luz brillante! La luz del día, los faros de un automóvil, el sol o una fuente de luz tal como la soldadura o una hoguera ardiendo, puede irreparablemente disminuir la eficacia de su funcionamiento y su recurso.

Unos ejemplos de las iluminaciones estándares, lux

Condiciones	Iluminación natural en el lugar, lux
No hay Luna, nublado	10^{-4} (0,0001)
Cielo estrellado,	
no hay Luna, despejado	10^{-3} (0,001)
1/4 de Luna, despejado	0,05
Plenilunio, despejado	0,38±0,4
Crepusculo profundo	1,0
Crepusculo	10
Día nublado	500



- Den Ring der Fokussierung des Okulars (7) drehend, erreichen Sie das scharfe Bild der Zielscheibe.
- Stellen Sie die optimale Helligkeit der roten Visiermarke mit dem Griff (4) ein.
- Wenn die Zielscheibenmitte nicht im Einschießpunkt liegt (Mitte des Strichkreuzes von der roten Visiermarke), dann vorläufig die Kappen von den Ausrichtensscheiben (13) abdrehend und die Scheiben R und UP drehend, erreichen Sie die Deckung der Zielscheibenmitte mit der Mitte des Strichkreuzes der Visiermarke.
- Machen Sie 3-4 Kontrollschüsse, sorgfältig und ähnlich in den gleichen Einschießpunkt zielend.
- Bestimmen Sie die Trefferdichte und die Lage des mittleren Punktes des Treffens (STP); bei der Abweichung des STP in irgendwelche Seite über die zulässige Höhe, die Ausrichtensscheibe (senkrecht UP, waagrecht - R) drehend, erreichen Sie die Deckung des STP mit dem Einschießpunkt. Dabei merken Sie sich, dass ein Klick bei der Drehung der Scheibe der Markeabweichung um 16,5/13,5 (Phantom 3x50/4x60) in der Entfernung 100 Meter entsprechend ist. Prüfen Sie die Richtigkeit des Ausrichtens durch das nochmalige Schießen.
- Das Zielfernrohr ist nach der gewählten Länge eingeschossen.

● MIL-DOT ABSEHEN

Ihr Zielfernrohr Phantom ist mit einem Mil-Dot Absehen ausgestattet, mit dessen Hilfe Sie die Entfernung zum Ziel genau einschätzen können, wenn Sie seine Abmessungen kennen.

Verwendung eines Mil-Dot-Absehens:

- Betrachten Sie das Ziel durch das Zielfernrohr.
- Setzen Sie die Kante eines Strichs gegen eine Kante (oben, unten oder eine der Seiten) des Ziels, sodass das Fadenkreuz entweder in der Breite oder der Höhe vorsteht.
- Messen Sie anhand die Punkte längs des Fadens zur gegenüberliegenden Kante des Ziels ab. Wurde die Zielgröße in Mil bestimmt, kann die Entfernung eingeschätzt werden. Dies kann der folgenden Formel nach ausgerechnet werden:

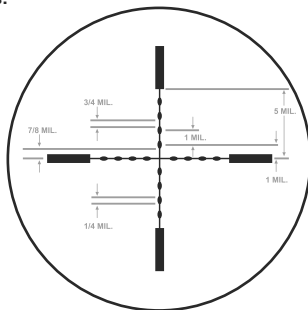
$$\frac{\text{Höhe oder Breite des Ziels in Yard} \times 1000}{\text{Höhe oder Breite des Ziels in Mil}} = \text{Entfernung zum Ziel in Yard}$$

$$\frac{\text{Höhe oder Breite des Ziels in Meter} \times 1000}{\text{Höhe oder Breite des Ziels in Mil}} = \text{Entfernung zum Ziel in Meter}$$

$$\frac{\text{Höhe oder Breite des Ziels in cm} \times 10}{\text{Höhe oder Breite des Ziels in Mil}} = \text{Entfernung zum Ziel in Meter}$$

Beispiel:

$$\frac{1,33 \text{ Yards} \times 1000}{2,5 \text{ mils}} = \frac{1330}{2,5} = 532 \text{ Yards}$$



● PARTICULARIDADES DEL VISOR PHANTOM

- Clase de hermeticidad IPX 6 (impermeable), vía óptica - rellena con gas
- Se permite la utilización de cartuchos especialmente potentes, con una energía de la boca de hasta de 6000 Joule (.375 H&H, .416 Rigby, .416 Rem. Magnum)
- Distancia máxima de la detección hasta 700 m
- Convertidor óptico electrónico (COE) de la generación 2+ - el instrumento es efectivo prácticamente en cualquier situación de iluminación natural nocturna, incluyendo niveles extremadamente bajos (10⁻⁴ lux - cielo nocturno nublado)
- Alta resolución y calidad de la imagen en todo el campo de la pantalla del COE
- Protección del COE contra la superación del nivel general de iluminación
- Óptica de luminosidad de alta calidad con un aumento óptimo de 3x y 4x
- Distancia mínima de observación - 5 m
- Cinco (tres - para el COE del tipo EPM221G) configuraciones de la marca roja de puntería: con posibilidad de elección y cambio instantáneo
- Regulación ligera del brillo de la marca
- Elección de los encofrados que permiten instalar el visor prácticamente en cualquier tipo de arma de caza
- Bloque de alimentación estabilizado: proporciona un consumo de energía óptimo, no hay desplazamiento del punto de puntería con la descarga paulatina de las baterías (y al disminuir la temperatura ambientales)
- Funcionamiento autónomo del instrumento con una batería del tipo AA (1,5V) o del tipo CR123 (3V). (Se permite la aplicación de una batería de acumulador de 1,2V, de una batería equivalente al tipo AA)
- Ubicación vertical de la batería - confiabilidad del suministro de energía durante el tiro
- Indicador de descarga de la batería: un centelleo de advertencia de la marca de puntería de 15 a 30 min. antes del apagado automático del instrumento
- Diseño ergonómico - el mando del visor está ubicado en la parte de arriba
- Enfoque fácil y sencilla separación del iluminador infrarrojo (IR)
- Control remoto con accesorio de seguridad
- Riel adicional Weaver para accesorios
- Protector de la lente objetivo con sistema de apertura hacia arriba
- Encendido rápido
- Liviano y una alta solidez - en su fabricación se ha empleado ampliamente el carbón plástico y otros tipos de plásticos técnicos modernos



ESPECIFICACIONES

MODELO#	76057T	76058T	76067T	76068T
MODELO MIL-DOT#	76157T	76158T	76167T	76168T

Características ópticas:

Aumentos visuales, x	3	4	3	4
Objetivo	50 mm, F / 1.63 60 mm F / 1.68 50 mm, F / 1.63 60 mm F / 1.68			
Generación del convertidor óptico-electrónico (COE)	2+	2+	2+	2+
Tipo del convertidor óptico- electrónico	EPM221G-00-11 *	DEP	1441* DEP	1441*
Resolución, líneas/mm, min.	45	45	45	45
Alivio pupilar, mm	50	50	53	53
Ángulo del campo de vista, grados angulares	11/20	9/15,7	13/23	11/19
Distancia máxima de la detección, m**	600	700	600	700
Ajuste dióptrico, dioptrías	±3,5	±3,5	±2,5	±2,5
Distancia mínima del enfoque, m	5	8	5	8

Características de empleo:

Tipos de elementos de alimentación / Tensión de funcionamiento, V		A elección: 1 AA / 1.5 V o 1 CR 123/ 3V		
Tiempo de funcionamiento continuo con una batería, horas (foco infrarrojo apagado) AA**/ CR 123	15/24	15/24	15/24	15/24
Tiempo de funcionamiento continuo con una batería, horas (foco infrarrojo encendido) AA**/ CR 123	5/8	5/8	5/8	5/8
Clase de protección, código IP (IEC 60529)	IPX6	IPX6	IPX6	IPX6
Temperaturas de utilización	desde -30 ° hasta + 40 °			
Dimensiones, mm:				
Largo	278	320	257	288
Ancho	95	95	95	95
Altura	103	103	103	103
Peso sin montura, kg	>1,0	>1,0	>1,0	>1,0
Adaptable para el convertidor de lente NV 1,7x	si	no	si	no

* En vez de estos convertidores ópticos electrónicos se permite uso de COEs análogos.

** Distancia máxima de la detección de un objeto con dimensiones de 1,7x0,5 m bajo la iluminación nocturna natural de 0,05 lux (cuarto de Luna).

*** Se recomienda utilizar baterías del tipo AA "Alkaline", porque se caracterizan por su mayor duración de funcionamiento.

Con el fin de mejorar el diseño del producto, este puede estar sujeto a cambios.

● CONTENIDO DEL EMBALAJE

- Instrumento montado
- Estuche
- Tablero de control remoto
- Instrucciones para su explotación
- Tarjeta de garantía

- Während der Korrekturereinstellung im Zielfernrohr, beachten Sie, dass ein Klick beträgt:

Für das Modell Phantom 3x50:

0,527 MOA (Winkelminute); 0,5519"/100yds; 1,533cm/100m

Für das Modell Phantom 4x60:

0,4235 MOA; 0,4435"/100 yds; 1,232cm/100m

Das Deckungsmaß 1 Mil (Millirad) entspricht 3,6 Zoll auf 100 Yard oder 36 Zoll auf 1000 Yard.

In metrischen Einheiten entspricht 1 Mil 10 cm auf 100 m oder 1 m auf 1000 m. 1 millirad (1 mil) = 0,001 der Distanz = 3,4377 MOA

Weitere Informationen über die Verwendung des Mil-Dot Absehens (Referenztabellen, Kalkulator u.a.) können Sie unter folgenden Verweisungen finden (auf Englisch).

<http://www.mildot.com>

http://www.mil-dot.com/Mil_Dot_User_Guide.htm

<http://www.shooterready.com/mildot.swf>

● TECHNISCHE KONTROLLE

Bei der technischen Kontrolle, die vor jeder Jagd empfohlen wird, ist Folgendes unbedingt zu prüfen:

- Der äußerliche Zustand des Gerätes (Risse, tiefe Druckstellen und die Korrosionsspuren sind nicht zulässig).
- Die Richtigkeit und Zuverlässigkeit der Visierbefestigung auf dem Gewehr (Lüfte sind strengstens verboten).
- Der Zustand der Objektivlinsen, des Okulars und der IR-Leuchte (Risse, Fettflecke, Schmutz, Wassertropfen und andere Beschläge sind nicht zulässig).
- Der Zustand der Speisungselemente und der elektrischen Kontakte des Batteriefaches. Die Batterie soll nicht entladen sein; die Elektrolyt-, Salz-, und Oxydierungsspuren sind nicht zulässig.
- Die Sicherheit des Auslösens des Betriebsumstalters (3), des Helligkeitsreglers der Einschießmarke (4), der Taste für das Markenwählen (5) und des Momentaneinschaltens (11).
- Die gleichmäßige Bewegung des Fokussierungsgriffs des Objektivs (6) und des Okularrings (7) und der Blende der IR- Leuchte (8).

● WARTUNG

Die Wartung ist mindestens zwei Male im Jahre durchzuführen:

- Reinigen Sie die Außenflächen der Metall- und Plastteile vom Staub, Schmutz und von der Feuchtigkeit; wischen sie es mit einem Baumwolltuch ab, der leicht mit dem Waffenöl oder der Vaseline angefeuchtet ist.
- Reinigen Sie die elektrischen Kontakte des Batteriefaches mit dem einem beliebigen ungetriebenen organischen Lösungsmittel.
- Prüfen Sie die Linsen des Okulars, Objektivs und der IR- Leuchte; vorsichtig stäuben sie ab; wenn es notwendig ist, reinigen Sie ihre äußerliche Oberflächen.

● VERWENDUNG DES FERNBEDIENUNGSPULTES

Das Nachtsicht-Zielfernrohr Phantom wird mit einem Fernbedienungspult mitgeliefert. Es hat drei Tasten:

- Die Taste „ON“ schaltet das Zielfernrohr ein/aus (wird fixiert nach dem Druck).
- Die Taste „IR“ schaltet die IR-Beleuchtung ein/aus (wird fixiert nach dem Druck).
- Die Taste „Schnelleinschaltung“ – schaltet sofort das Zielfernrohr und die IR-Beleuchtung ein/aus (das Gerät funktioniert nur wenn die Taste gedrückt gehalten ist). Nachdem diese Taste ausgelöst ist, schaltet sich das Zielfernrohr aus, gehen die IR-Beleuchtung und das Absehen aus.

● NUTZUNG DES LINSENKONVERTERS NV 1,7x

Die Verwendung des Linsenkonverters NV 1,7x (#79091) ermöglicht, die Vergrößerung der Multiplizität des Zielfernrohres "Phantom" mit dem Durchmesser des Objektivs 50 mm um 1,75 Male zu erhöhen. Der Linsenkonverter wird auf das Objektiv des Visiers eingeschraubt. Vor der Installation lesen Sie die Bedienungsanleitung zum Linsenkonverter. Im Zusammenhang mit der möglichen Verschiebung des Zielpunktes ist es nach der Installation des Linsenkonverters notwendig, das Einschließen des Zielfernrohres durchzuführen.

● NUTZUNG DER ZUSÄTZLICHEN LEISTE WEAVER

Das Zielfernrohr hat eine zusätzliche Leiste Weaver (14), die links auf dem Gehäuse montiert ist. Mit Hilfe der Leiste können Sie zusätzlich folgende Geräte anschließen:

- IR-Strahler Pulsar-805 (#79071).

● LAGERUNG

Bewahren Sie das Gerät immer nur in der Aufbewahrungstasche, im trockenen, gut gelüfteten Raum auf. Bei der Dauerlagerung nehmen Sie unbedingt die Batterie heraus.

● FEHLERBESEITIGUNG

In der Tabelle ist die Liste der möglichen Probleme, die bei dem Betrieb des Zielfernrohres entstehen können, aufgeführt. Führen Sie die empfohlene Kontrolle und Korrektur auf solche Weise, wie es in der Tabelle geschildert ist, durch. In der Tabelle sind nicht alle Probleme erwähnt, die entstehen können. Die in die Tabelle eingeschlossenen Prüfmaßnahmen sind notwendig für die Entdeckung des Grundes der Problemstellung beim Gerätebetrieb. Die Korrekturmaßnahmen sind für die Problembeseitigung. Wenn in der gegebenen Liste das Problem nicht erwähnt ist, oder die genannte Maßnahme für die Beseitigung des Defektes nicht erfolgreich ist, teilen Sie darüber dem Hersteller mit.

Defekt	Mögliche Ursache	Beseitigung
Das Zielfernrohr schaltet sich nicht ein.	Die Batterie ist falsch eingelegt.	Legen Sie die Batterie der Markierung entsprechend ein.
	Summarische Spannung der Batterie ist unter 2,0 V.	Ersetzen Sie die Batterie.

Defekt	Mögliche Ursache	Beseitigung
Das Zielfernrohr schaltet sich nicht ein.	Kontakte im Batteriefach sind oxidiert, die Batterien "lecken" oder auf die Kontakte geriet chemisch aktive Flüssigkeit.	Reinigen Sie das Batteriefach, reinigen Sie die Kontakte.
Das unscharfe Bild der roten Marke, es gelingt nicht, das Okular richtig zu richten.	Für die Korrektur Ihrer Sehkraft sind die Dioptrien des Okulars nicht genug.	Wenn Sie Brillen mit den Linsen über +/- 5 benötigen, sehen Sie in das Okular des Visiers durch die Brille.
Bei dem deutlichen Bild der roten Marke ist das unscharfe Bild des Objektes, das mindestens 30 m fern ist.	Staub und Feuchtigkeit sind auf optischen Außenflächen des Objektivs und Okulars.	Wischen Sie die optischen Außenflächen mit dem weichen Baumwolltuch ab.
	Die Feuchtigkeit auf den inneren Oberflächen des Objektivs und Okulars, auf den optischen Oberflächen der EO V - es ist bei der Übertragung des Visiers von der Kälte in den warmen Raum möglich.	Trocknen Sie das Visier, lassen Sie es für vier Stunden im warmen Raum.
	Summarische Spannung von der Batterie ist unter 2,0 V.	Ersetzen Sie die Batterie.
Einzig kleine deutliche dunkle Punkte im Sichtsfeld bei dem deutlichen Bild.	Die Punkte am EO V-Bild, die technologiebedingt sind, beeinflussen die Arbeitsfähigkeit und Sicherheit des Gerätes nicht. Die Maße von Punkten sind in den technischen Bedingungen zum EO V und das Gerät festgesetzt.	Es gibt keine Gründe zur Rückgabe.
Das Zielfernrohr oder die IR-Leuchte schalten sich mit dem Griff des Schalters auf dem Visier nicht aus.	Das Visier ist mit dem Fernsteuerpult (FSP) eingeschaltet.	Schalten Sie das Gerät und die IR-Leuchte mit den Tasten des FSPs aus.
Die Marke bei dem Schießen wird verschoben.	Es gibt keinen festen Einbau des Visiers am Gewehr.	Prüfen Sie die Festigkeit des Einbaues des Zielfernrohres. Überzeugen Sie sich davon, dass die Art der Patronen, mit denen Sie früher Ihr Gewehr und Visier eingeschossen haben, verwenden. Wenn Sie das Visier im Sommer eingeschossen haben, und es im Winter (oder im Gegenteil) verwenden, dann eine gewisse Änderung des Nullpunktes des Einschießens nicht ausgeschlossen ist.
Das Zielfernrohr wird nicht fokussiert.	Es ist nicht richtig eingestellt.	Stellen Sie das Gerät entsprechend dem Abschnitt "Nutzung des Zielfernrohres ein. Prüfen Sie die Außenflächen der Linsen des Objektivs und Okulars; falls notwendig ist, reinigen Sie sie vom Staub, Kondensat, Raureif usw. Bei kaltem Wetter können Sie spezielle Anlaufschuttschicht (zum Beispiel, wie für Korrekturbrillen) verwenden.