



## Quick Start Guide

V2.1

# VISTA

Thermal Imaging  
Monocular

VISTA S50R / VISTA H50R / VISTA H50 / VISTA H35R  
VISTA H35



**EN**

**Please read this manual before using the product, and keep the guide for future reference.**

For detailed information about the device, please download the complete user manual from the official website ([www.nocpix.com](http://www.nocpix.com)).

**DE**

**Bitte lesen Sie dieses Handbuch sorgfältig durch, bevor Sie dieses Produkt verwenden, und bewahren Sie es zum späteren Nachschlagen gut auf.**

Ausführliche Informationen über das Gerät finden Sie im vollständigen Benutzerhandbuch, das Sie von der offiziellen Website ([www.nocpix.com](http://www.nocpix.com)) herunterlesen können.

**IT**

**Si prega di leggere questa guida prima di utilizzare il prodotto e conservarla per riferimento futuro.**

Per informazioni dettagliate sul dispositivo, si prega di scaricare il manuale d'uso completo dal sito ufficiale ([www.nocpix.com](http://www.nocpix.com)).

**FR**

**Veillez consulter ce guide avant d'utiliser le produit et gardez-le pour vous y référer ultérieurement.**

Pour plus d'informations sur l'appareil, veuillez télécharger le manuel d'utilisation complet sur le site officiel ([www.nocpix.com](http://www.nocpix.com)).

**ES**

**Lea este manual antes de usar el producto y conserve la guía para referencia futura.**

Para obtener información detallada sobre el dispositivo, descargue el manual de usuario completo del sitio web oficial ([www.nocpix.com](http://www.nocpix.com)).

**CZ**

**Před použitím výrobku si prosím přečtete tuto příručku a uchovávejte ji pro budoucí použití.**

Pro podrobné informace o zařízení si prosím stáhněte kompletní uživatelskou příručku z oficiálních webových stránek ([www.nocpix.com](http://www.nocpix.com)).

**PL**

**Przed użyciem proszę uważnie przeczytać niniejszy podręcznik użytkownika i przechować go w odpowiedni sposób na przyszłość.**

Aby uzyskać szczegółowe informacje o urządzeniu, pobierz pełny podręcznik użytkownika ze strony internetowej ([www.nocpix.com](http://www.nocpix.com)).

**SV**

**Vänligen läs igenom denna anvisning innan du använder produkten, och behåll guiden för framtida referens.**

Detaljerad information om enheten finns i den fullständiga bruksanvisningen som du kan ladda ner från den officiella webbplatsen ([www.nocpix.com](http://www.nocpix.com)).

**HU**

**Kérjük, a termék használatá előtt figyelmesen olvassa el a jelen használati útmutatót, és őrizze meg későbbi használatra.**

A készülékkel kapcsolatos részletes információkért kérjük, töltsse le a teljes felhasználói kézikönyvet a hivatalos weboldaltól ([www.nocpix.com](http://www.nocpix.com)).

**PT**

**Leia este manual antes de usar o produto e guarde-o para referência futura.**

Para obter informações detalhadas sobre o dispositivo, baixe o manual do usuário completo no site oficial ([www.nocpix.com](http://www.nocpix.com)).

**CE****RoHS**

# Important Safety Information

## Environmental influences

Never point the lens of the device directly at intense heat sources such as the sun or laser equipment. The objective lens and eyepiece can function as a burning glass and damage the interior components.

## Risk of swallowing

Do not place this device in the hands of small children. Incorrect handling can cause small parts to come loose which may be swallowed.

## Safety instructions for use

- Handle the device with care: rough handling may damage the battery.
- Do not expose the device to fire or high temperatures.
- Install the batteries correctly according to the instruction on the device. Reverse connection is prohibited.
- The battery capacity decreases when operated in a cold ambient temperature. This is not a fault and occurs for technical reasons.
- Always store the device in a dry, well-ventilated space. For prolonged storage, remove the batteries.
- The recommended temperature for using this product is  $-20^{\circ}\text{C}$  to  $+50^{\circ}\text{C}$ . Otherwise, it will affect the service life of the product.
- Do not store the device for long periods at temperatures below  $20^{\circ}\text{C}$  or above  $50^{\circ}\text{C}$ , or this will permanently reduce the capacity of the battery.
- If the device has been damaged or the battery is defective, send the device to our after-sales service for repair.

## EU Compliance Statement

Wireless transmitter module frequency range:

WLAN: 2.412-2.472GHz (For EU)

Wireless transmitter module power < 20dBm (only for EU)



We, Inlumen Technologies Co., Ltd. hereby declares that the radio equipment types VISTA are in compliance with the Directives 2014/53/EU and 2011/65/EU.

## Disposal of batteries



2023/1542 (Battery Regulation): This product contains a battery that cannot be disposed of as unsorted municipal waste in the European Union. For battery details, refer to the documentation of the specific product. The battery is marked with this symbol, which may include Cd (indicating cadmium), Pb (indicating lead), or Hg (indicating mercury). For proper recycling, please return the battery to your supplier or send it to a designated collection point. For more information, visit [www.recyclethis.info](http://www.recyclethis.info).

## User information on the disposal of electrical and electronic devices (private households)



2012/19/EU (WEEE directive): Products marked with this symbol cannot be disposed of as unsorted municipal waste in the European Union. For proper recycling, return this product to your local supplier upon the purchase of equivalent new equipment, or dispose of it at designated collection points. For more information see: [www.recyclethis.info](http://www.recyclethis.info).

## For business customers within the European Union

Please contact your dealer or supplier regarding the disposal of electrical and electronic devices. He will provide you with further information.

## Information on disposal in other countries outside of the European Union

This symbol is only applicable in the European Union. Please contact your local authority or dealer if you wish to dispose of this product and ask for a disposal option.

## Intended use

The device is intended for displaying heat signatures during nature observation, remote hunting observations and for civil use. This device is not a toy for children.

Use the device only as described in this operating manual. The manufacturer and the dealer accept no liability for damages which arise due to non-intended or incorrect use.

### Function test

Before use, please ensure that your device has no visible damage.  
Test to see if the device displays a clear, undisturbed image.  
Check that the settings for the thermal imaging monocular are correct.

### Installing/Removing the battery

The VISTA series thermal imaging monocular need to install one battery pack for use. Refer to the section Battery Installation for details.

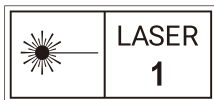
## Laser Warning

VISTA S50R / VISTA H50R / VISTA H35R

CLASS 1 CONSUMER LASER PRODUCT  
EN 50689:2021



**LASER APERTURE**

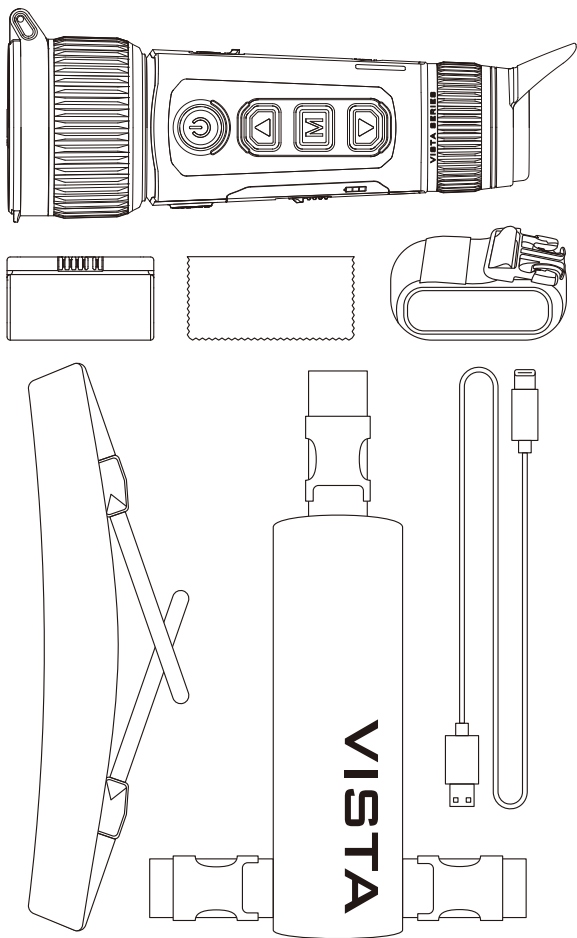


# VISTA Quick Start Guide

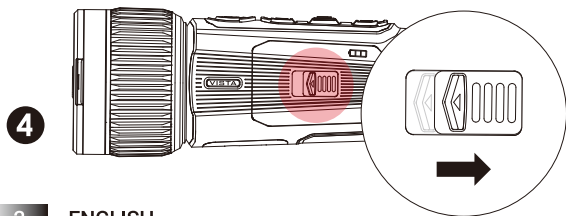
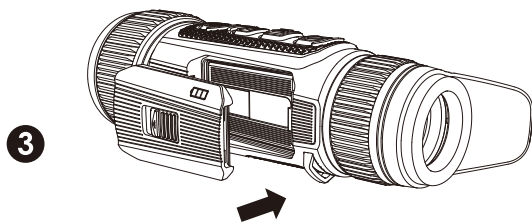
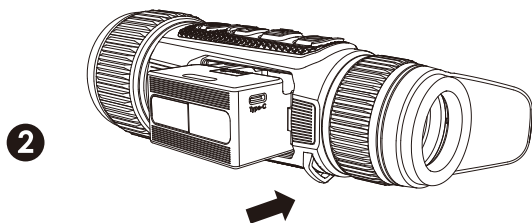
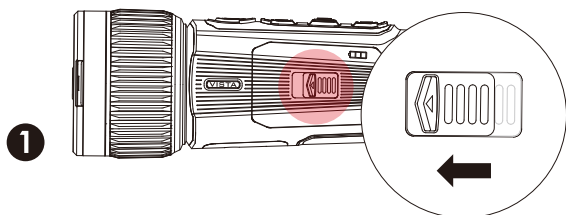
<b>EN</b>	Thermal imaging monocular	1-13
<b>DE</b>	Wärmebild-Monokularfernrohr	14-26
<b>IT</b>	Monocolo per immagini termiche	27-39
<b>FR</b>	Monoculaire d'imagerie thermique	40-52
<b>ES</b>	Monocular de imagen térmica	53-65
<b>CZ</b>	Termovizní monokulár	66-78
<b>PL</b>	Monokular termowizyjny	79-91
<b>SV</b>	Termiskt bildmonokulär	92-104
<b>HU</b>	Termikus képalkotó monokuláris	105-117
<b>PT</b>	Monocular de Imagem Térmica	118-130



# Accessories

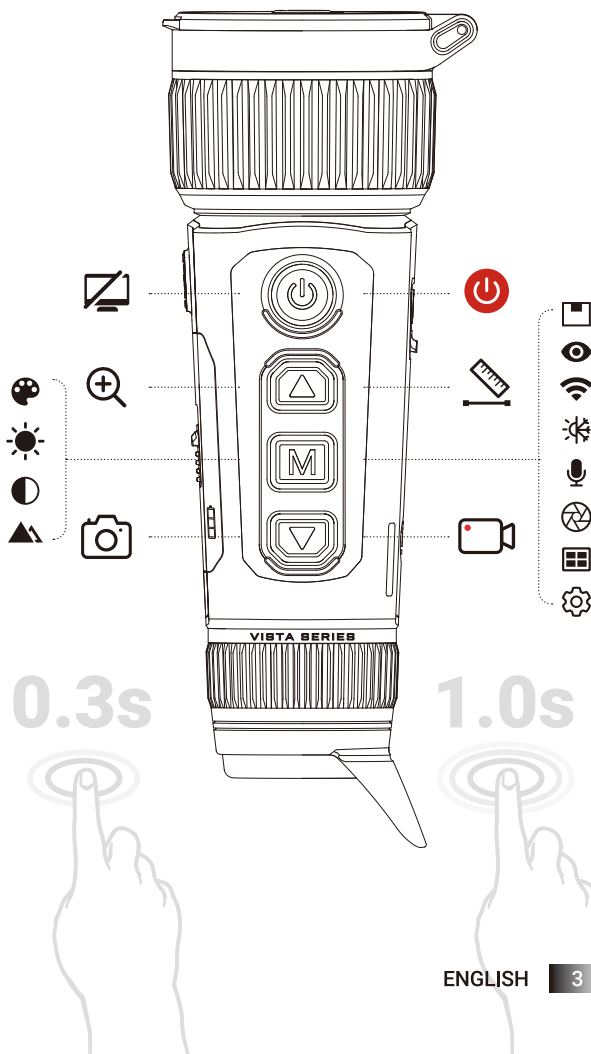


# Battery Install



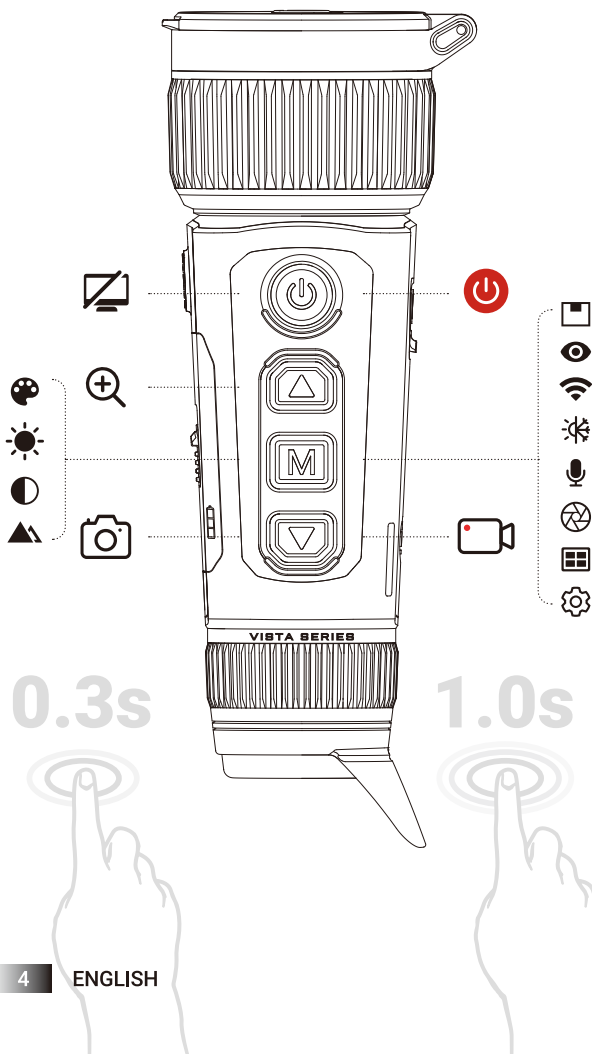
# Button Descriptions

VISTA S50R / VISTA H50R / VISTA H35R



# Button Descriptions

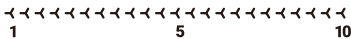
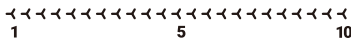
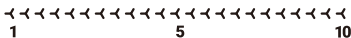
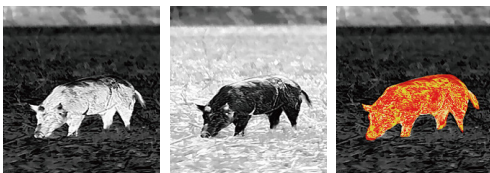
VISTA H50 / VISTA H35



# Button Descriptions



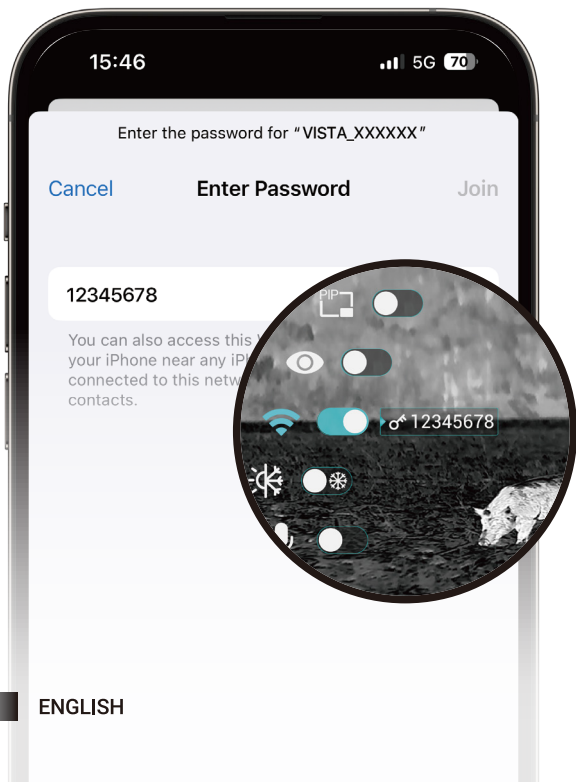
# Shortcut Menu



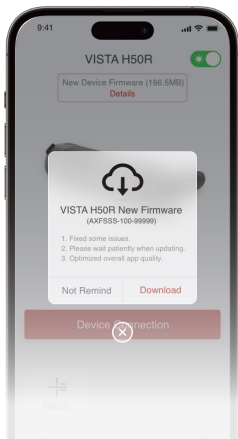
# | Main Menu



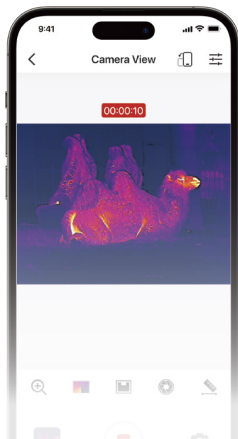
# | App



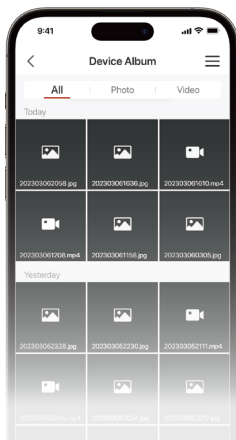




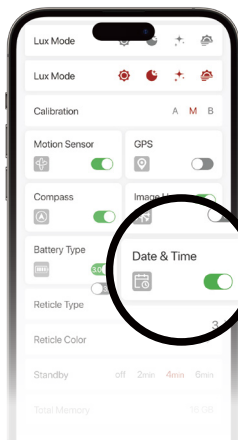
Firmware  
upgrade



Real-time image  
transmission



Device file



Date & Time  
calibration

# Specifications

Model	VISTA H35	VISTA H50
Thermal Sensor, Pixels	640×512,12μm	
NETD, mK	≤15	
Frame rate, Hz	60	
Objective lens, mm	35 F0.9	50 F0.9
Field of View (H×V), °/m at 100m	12.5×10.0/ 22×18	8.8×7.0/ 15×12
Magnification, ×	3~28	4~40
Detective range, m (Target size: 1.7m × 0.5m, P(n)=99%)	1800	2600
Exit relief, mm	25	
Exit pupil diameter, mm	8	
Diopter, D	-4 ~ +6	
Display	AMOLED 2560×2560	
Battery Type	Replaceable li-ion battery pack IBP-7/4400mAh	
Max. operation time, (t=22°C) h	5.5	
MIC	Support	
Memory capacity, GB	64	
IP rating	IP67	
Operating temperature, °C	-20 ~ +50	
Weight, g (with battery)	600	630
Dimension, mm	184×61×71	190×67×79

<b>Model</b>	<b>VISTA H35R</b>	<b>VISTA H50R</b>
Thermal Sensor, Pixels	640×512,12μm	
NETD, mK	≤15	
Frame rate, Hz	60	
Objective lens, mm	35 F0.9	50 F0.9
Field of View (H×V), °/m at 100m	12.5×10.0/ 22×18	8.8×7.0/ 15×12
Magnification, ×	3~28	4~40
Detective range, m (Target size: 1.7m × 0.5m, P(n)=99%)	1800	2600
Exit relief, mm	25	
Exit pupil diameter, mm	8	
Diopter, D	-4 ~ +6	
Display	AMOLED 2560×2560	
Battery Type	Replaceable li-ion battery pack IBP-7/4400mAh	
Max. operation time, (t=22°C) h	5.5	
Safety class for laser	Class 1	
LRF, m	1200	
MIC	Support	
Memory capacity, GB	64	
IP rating	IP67	
Operating temperature, °C	-20 ~ +50	
Weight, g (with battery)	640	650
Dimension, mm	190×67×79	194×70×82

<b>Model</b>	<b>VISTA S50R</b>
Thermal Sensor, Pixels	1280×1024,12μm
NETD, mK	≤15
Frame rate, Hz	60
Objective lens, mm	50 F0.9
Field of View (H×V), °/m at 100m	17.5×14.0/31×25
Magnification, ×	2~40
Detective range, m (Target size: 1.7m × 0.5m, P(n)=99%)	2600
Exit relief, mm	25
Exit pupil diameter, mm	8
Diopter, D	-5 ~ +3
Display	AMOLED 2560×2560
Battery Type	Replaceable li-ion battery pack IBP-7/4400mAh
Max. operation time, (t=22°C) h	4.5
Safety class for laser	Class 1
LRF, m	1200
MIC	Support
Memory capacity, GB	64
IP rating	IP67
Operating temperature, °C	-20 ~ +50
Weight, g (with battery)	690
Dimension, mm	201×70×82

## Get More Information



Website:  
[www.nocpix.com](http://www.nocpix.com)



User manual



Facebook

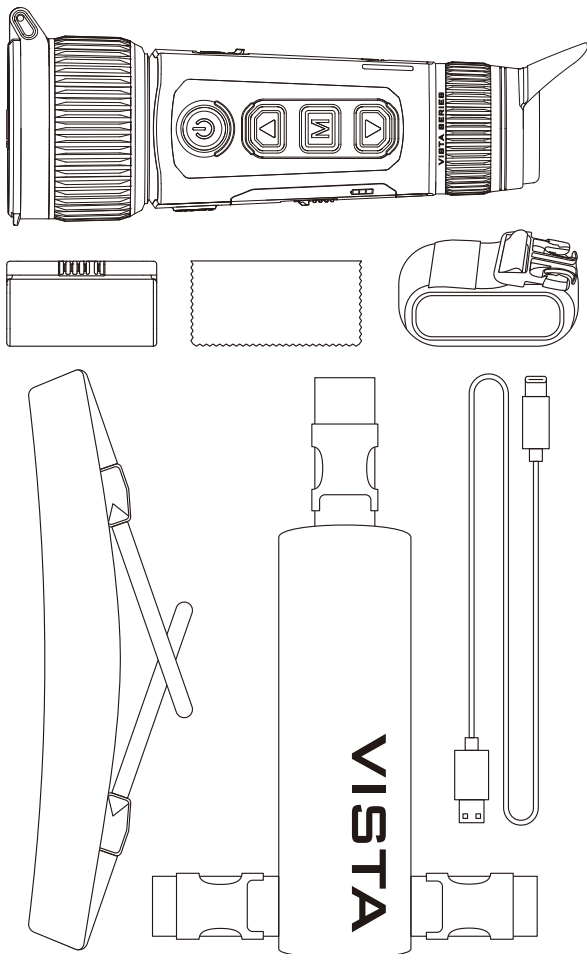


Instagram

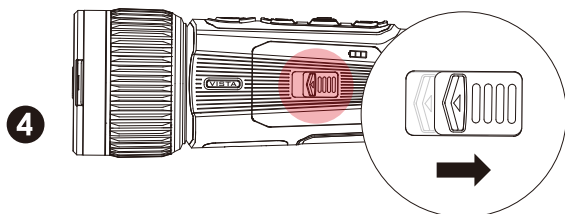
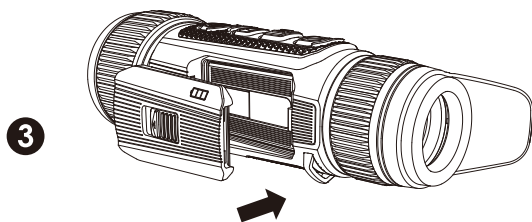
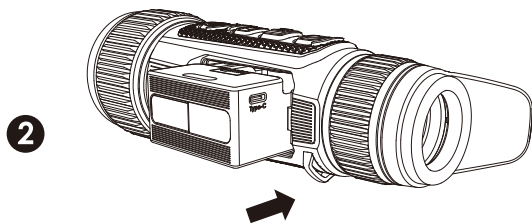
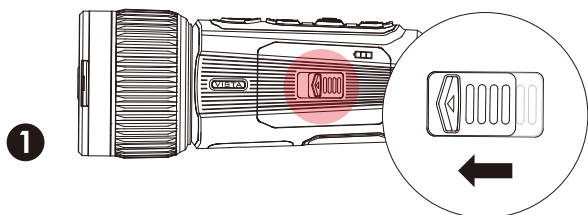


YouTube

# Zubehör

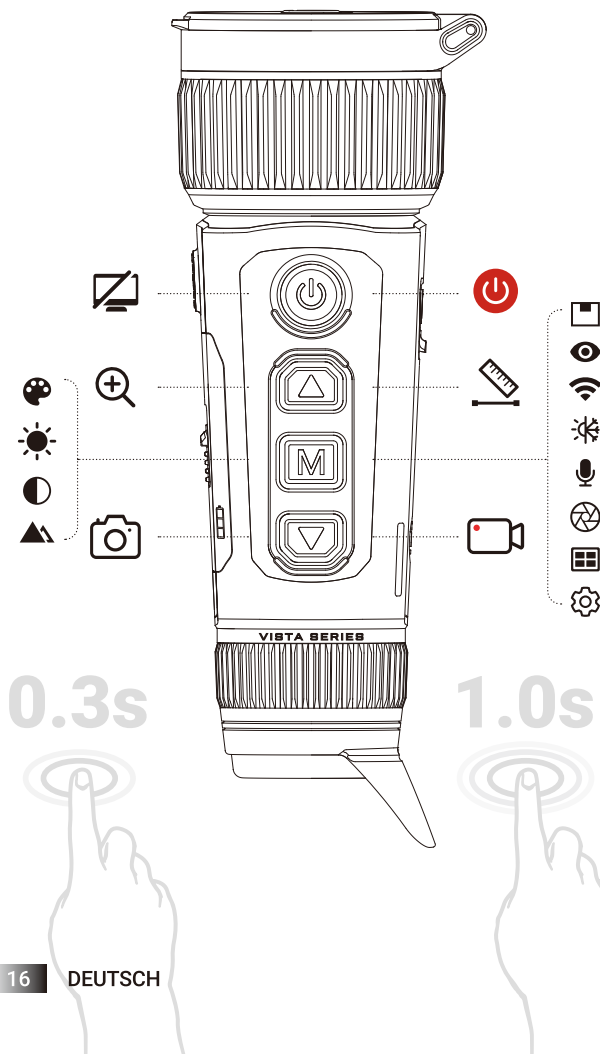


# Batterie Installieren



# Schlüsselbeschreibung

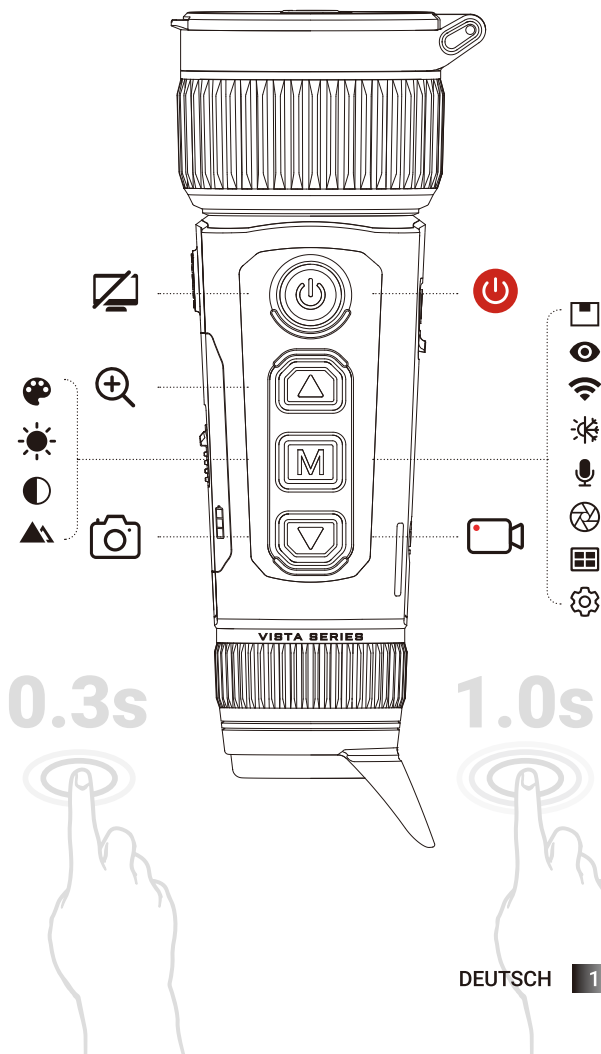
VISTA S50R / VISTA H50R / VISTA H35R





# Schlüsselbeschreibung

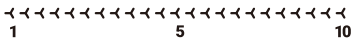
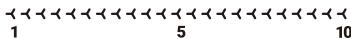
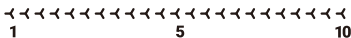
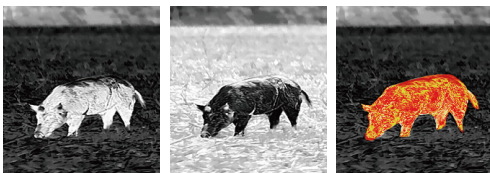
VISTA H50 / VISTA H35



# Schlüsselbeschreibung



# Kontextmenü



# Hauptmenü

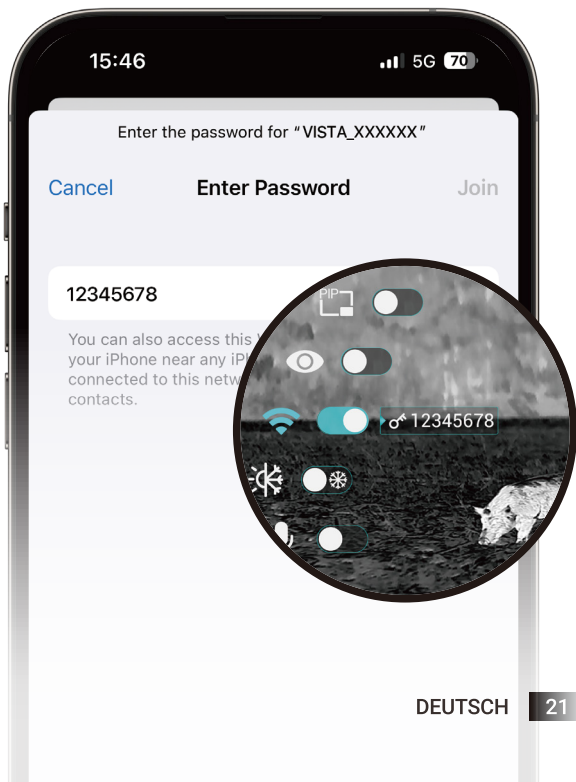


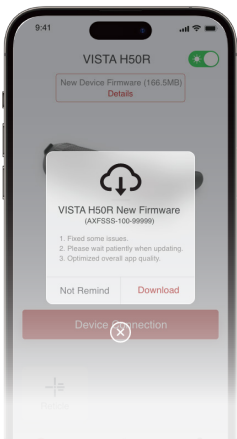
Zeigen



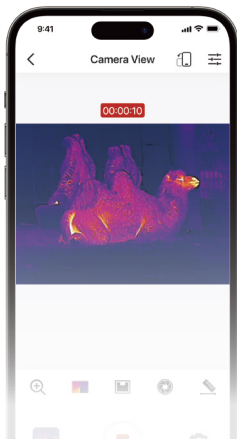
Verbergen

# | App

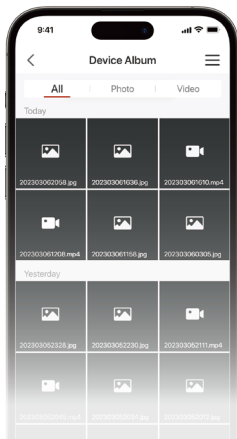




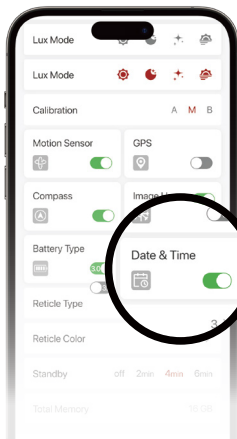
 Firmware-Upgrade



 Bildübertragung  
in Echtzeit



 Gerätedatei



 Kalibrierung von  
Datum und Uhrzeit

# Spezifikationen

Modul	VISTA H35	VISTA H50
Wärmesensor, Pixels	640×512, 12µm	
NETD, mK	≤15	
Bildrate, Hz	60	
Objektivlinse, mm	35 F0.9	50 F0.9
Sichtfeld, °/m bei 100m	12.5×10.0/ 22×18	8.8×7.0/ 15×12
Vergrößerung, x	3~28	4~40
Detektionsbereich, m (Zielgröße: 1.7m×0,5m, P(n)=99%)	1800	2600
Abstand der Austrittspupille, mm	25	
Durchmesser der Austrittspupille, mm	8	
Dioptrien, D	-4 ~ +6	
Display	AMOLED 2560×2560	
Batterie typ	Austauschbarer Li-Ionen Akku IBP-7/4400 mAh	
Max. Batterielebensdauer (t=22°C), h	5.5	
Mikrofon	Unterstützt	
Eingebaute Speichergröße, GB	64	
IP-Bewertung	IP67	
Betriebstemperatur, °C	-20 ~ +50	
Gewicht, g (mit Batterie)	600	630
Abmessung, mm	184×61×71	190×67×79

<b>Modul</b>	<b>VISTA H35R</b>	<b>VISTA H50R</b>
Wärmesensor, Pixels	640×512,12µm	
NETD, mK	≤15	
Bildrate, Hz	60	
Objektivlinse, mm	35 F0.9	50 F0.9
Sichtfeld, °/m bei 100m	12.5×10.0/ 22×18	8.8×7.0/ 15×12
Vergrößerung, x	3~28	4~40
Detektionsbereich, m (Zielgröße: 1.7m×0,5m,P(n)=99%)	1800	2600
Abstand der Austrittspupille, mm	25	
Durchmesser der Austrittspupille, mm	8	
Dioptrien, D	-4 ~ +6	
Display Spezifikationen	AMOLED 2560×2560	
Batterie typ	Austauschbarer Li-Ionen Akku IBP-7/4400 mAh	
Max. Batterielebensdauer(t=22°C), h	5.5	
Sicherheitsklasse für Laser	Class 1	
LRF, m	1200	
Mikrofon	Unterstützt	
Eingebaute Speichergröße, GB	64	
IP-Bewertung	IP67	
Betriebstemperatur, °C	-20 ~ +50	
Gewicht, g (mit Batterie)	640	650
Abmessung, mm	190×67×79	194×70×82



Modul	VISTA S50R
Wärmesensor, Pixels	1280×1024,12µm
NETD, mK	≤15
Bildrate, Hz	60
Objektivlinse, mm	50 F0.9
Sichtfeld, °/m bei 100m	17.5×14.0/31×25
Vergrößerung, x	2~40
Detektionsbereich, m (Zielgröße: 1.7m×0,5m,P(n)=99%)	2600
Abstand der Austrittspupille, mm	25
Durchmesser der Austrittspupille, mm	8
Dioptrien, D	-5 ~ +3
Display Spezifikationen	AMOLED 2560×2560
Batterie typ	Austauschbarer Li-Ionen Akku IBP-7/4400 mAh
Max. Batterielebensdauer(t=22°C), h	4.5
Sicherheitsklasse für Laser	Class 1
LRF, m	1200
Mikrofon	Unterstützt
Eingebaute Speichergröße, GB	64
IP-Bewertung	IP67
Betriebstemperatur, °C	-20 ~ +50
Gewicht, g (mit Batterie)	690
Abmessung, mm	201×70×82

## Mehr Informationen bekommen



Webseite:  
[www.nocpix.com](http://www.nocpix.com)



Benutzerhandbuch



Facebook

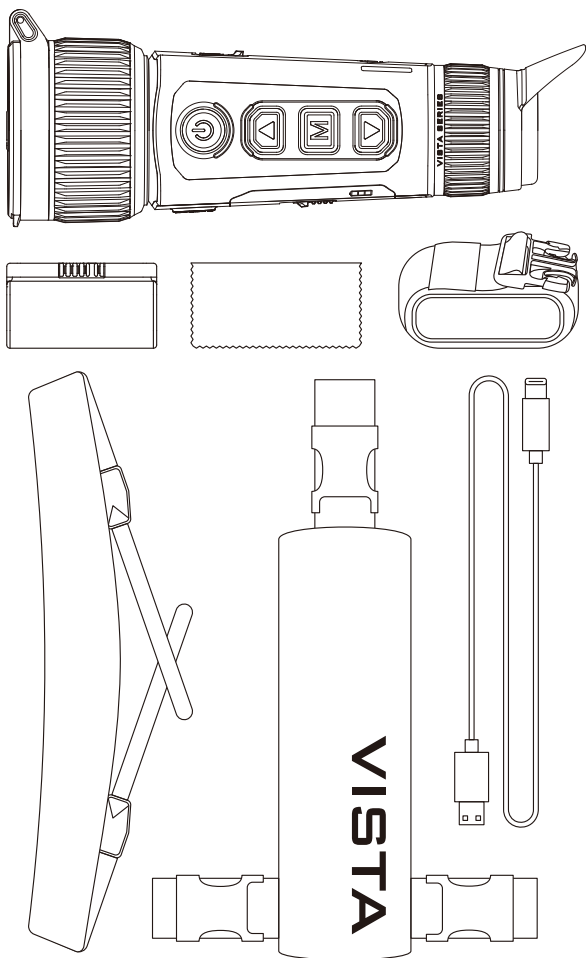


Instagram

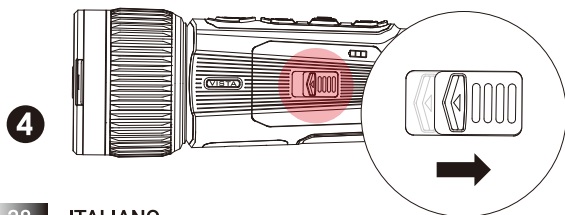
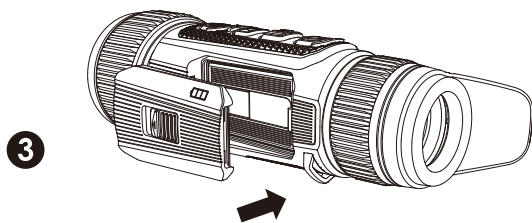
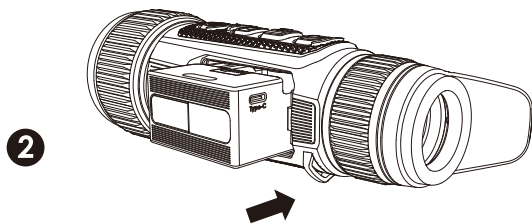
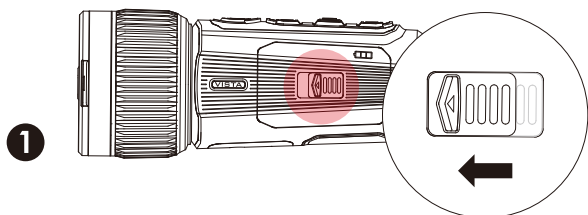


YouTube

# Accessori

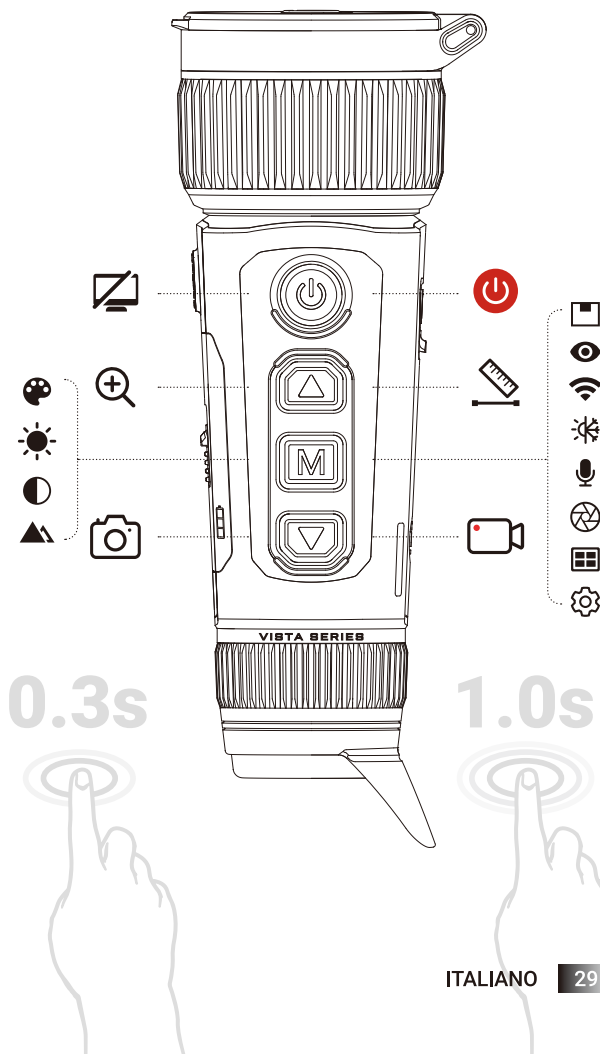


## Installazione della batteria



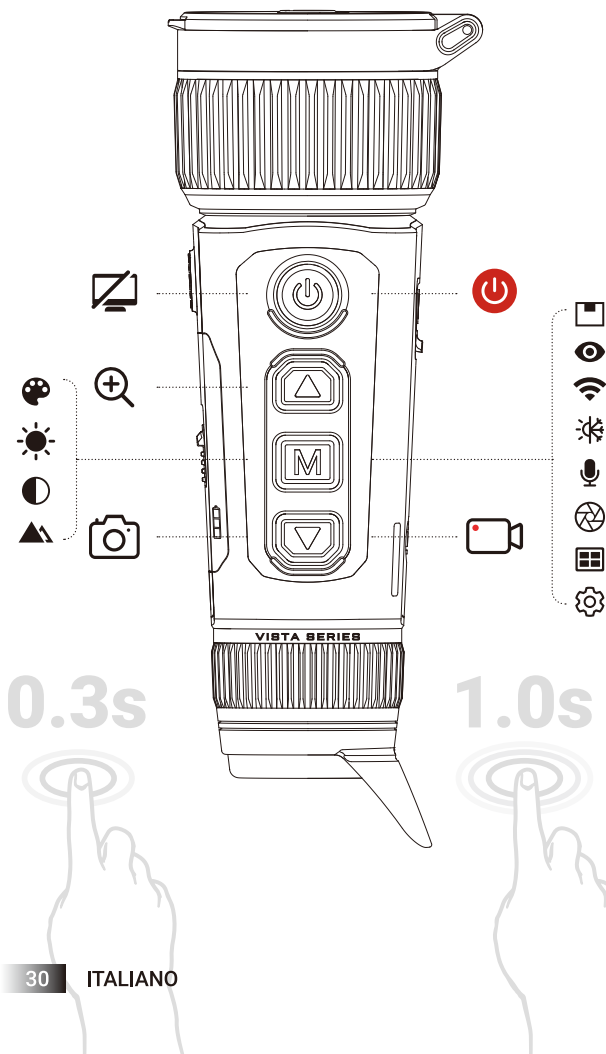
# Descrizioni dei pulsanti

VISTA S50R / VISTA H50R / VISTA H35R



# Descrizioni dei pulsanti

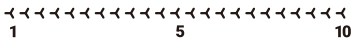
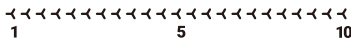
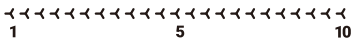
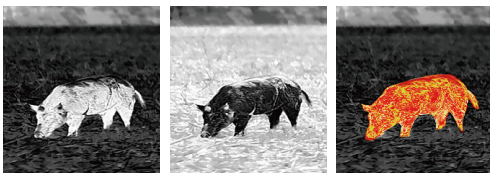
VISTA H50 / VISTA H35



# Descrizioni dei pulsanti



# Menu di scelta rapida





# Menu principale

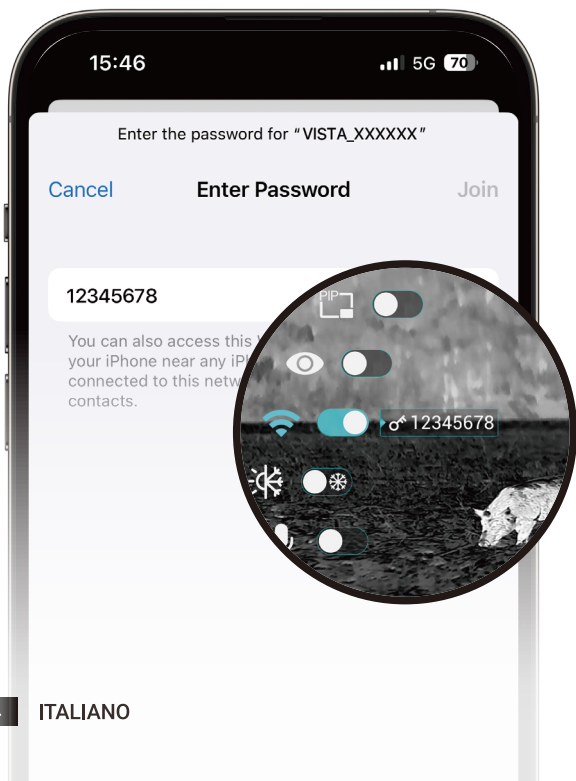


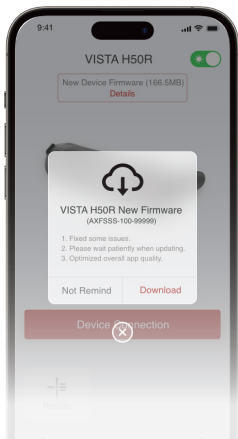
Mostra



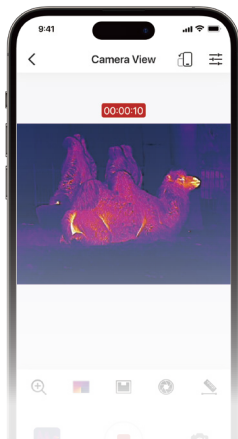
Nascondere

# | App

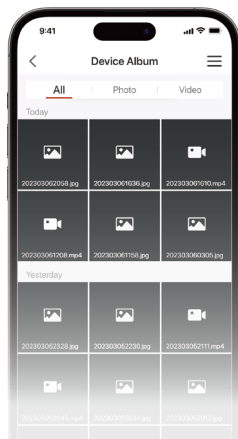




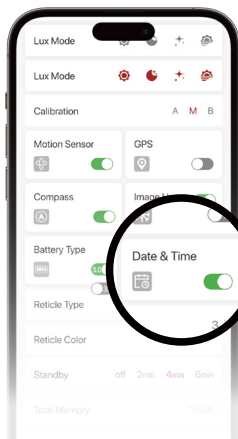
Aggiornamento  
del firmware



Trasmissione delle  
immagini in tempo reale



File del dispositivo



Calibrazione di  
data e ora

# Specifiche

Modello	VISTA H35	VISTA H50
Sensore termico, Pixels	640×512, 12µm	
NETD, mK	≤15	
Frequenza deifotogrammi, Hz	60	
Lente dell'obiettivo, mm	35 F0.9	50 F0.9
Campo visivo, °/m a 100 m	12.5×10.0/ 22×18	8.8×7.0/ 15×12
Ingrandimento, x	3~28	4~40
Campo di Rilevamento, m (Dimensione del bersaglio: 1.7 m x 0.5m, P(n)= 99%)	1800	2600
Distanza interoculare, mm	25	
Diametro della Pupilla d'uscita, mm	8	
Diottria, D	-4 ~ +6	
Display	AMOLED 2560×2560	
Batteria	Batteria sostituibile agli ioni di litio IBP-7/ 4400 mAh	
Durata della batteria massima (t=22°C), h	5.5	
microfono	Supporta	
Quantità di memoria incorporata, GB	64	
Grado di protezione IP	IP67	
Temperatura di Funzionamento, °C	-20 ~ +50	
Peso, g (con batteria)	600	630
Dimensione, mm	184×61×71	190×67×79

<b>Modello</b>	<b>VISTA H35R</b>	<b>VISTA H50R</b>
Sensore termico, Pixels	640×512,12µm	
NETD, mK	≤15	
Frequenza deifotogrammi, Hz	60	
Lente dell'obiettivo, mm	35 F0.9	50 F0.9
Campo visivo,°/m a 100 m	12.5×10.0/ 22×18	8.8×7.0/ 15×12
Ingrandimento,x	3~28	4~40
Campo di Rilevamento,m(Dimensione delbersaglio: 1.7 m x 0.5m, P(n)= 99%)	1800	2600
Distanza interoculare, mm	25	
Diametro della Pupilla d'uscita, mm	8	
Diottria, D	-4 ~ +6	
Display	AMOLED 2560×2560	
Batteria	Batteria sostituibile agli ioni di litio IBP-7/ 4400 mAh	
Durata della batteria massima (t=22°C), h	5.5	
Classe di sicurezza per laser	Class 1	
LRF, m	1200	
microfono	Supporta	
Quantità di memoriaincorporata, GB	64	
Grado di protezione IP	IP67	
Temperatura diFunzionamento, °C	-20 ~ +50	
Peso, g (con batteria)	640	650
Dimensione, mm	190×67×79	194×70×82

<b>Modello</b>	<b>VISTA S50R</b>
Sensore termico, Pixels	1280×1024,12µm
NETD, mK	≤15
Frequenza deifotogrammi, Hz	60
Lente dell'obiettivo, mm	50 F0.9
Campo visivo,°/m a 100 m	17.5×14.0/31×25
Ingrandimento,x	2~40
Campo di Rilevamento,m(Dimensione delbersaglio: 1.7 m x 0.5m, P(n)= 99%)	2600
Distanza interoculare, mm	25
Diametro della Pupilla d'uscita, mm	8
Diottria, D	-5 ~ +3
Display	AMOLED 2560×2560
Batteria	Batteria sostituibile agli ioni di litio IBP-7/ 4400 mAh
Durata della batteriamassima (t=22°C), h	4.5
Classe di sicurezza per laser	Class 1
LRF, m	1200
microfono	Supporta
Quantità di memoriaincorporata, GB	64
Grado di protezione IP	IP67
Temperatura diFunzionamento, °C	-20 ~ +50
Peso, g (con batteria)	690
Dimensione, mm	201×70×82

# Otteni maggiori informazioni



Sito web:  
[www.nocpix.com](http://www.nocpix.com)



Manuale d'uso



Facebook

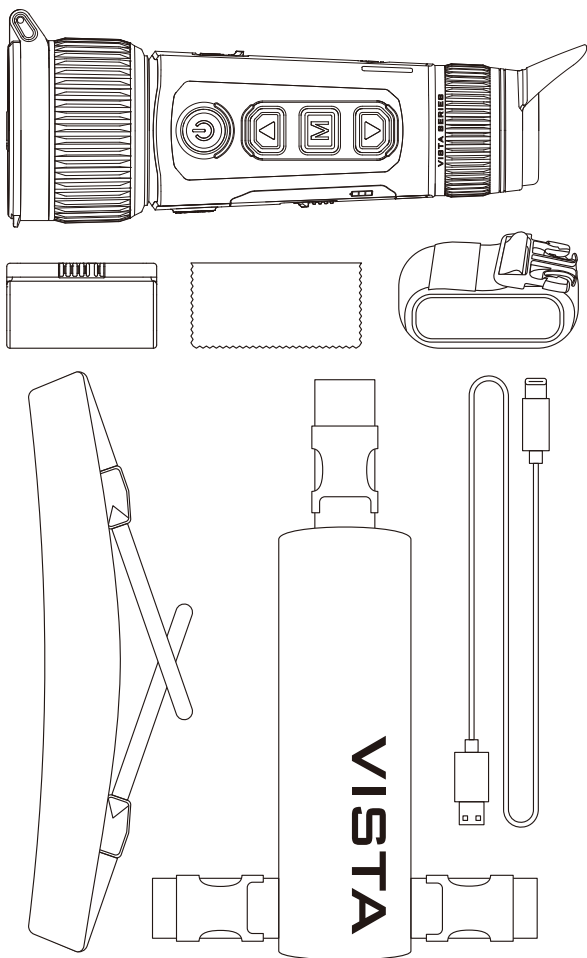


Instagram



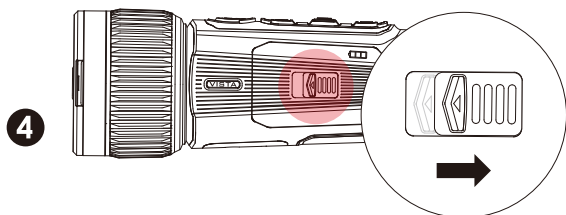
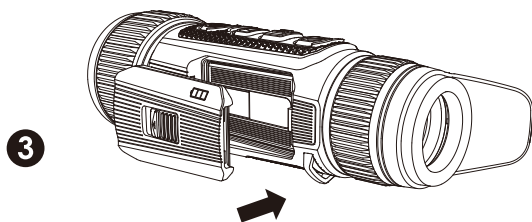
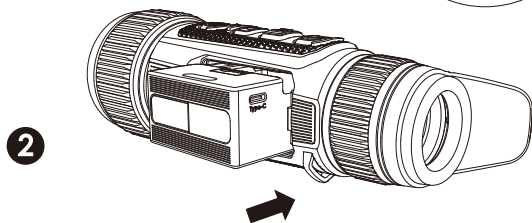
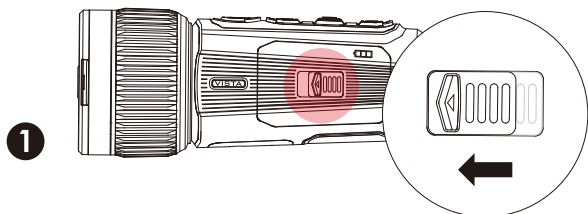
YouTube

## | Accessoires



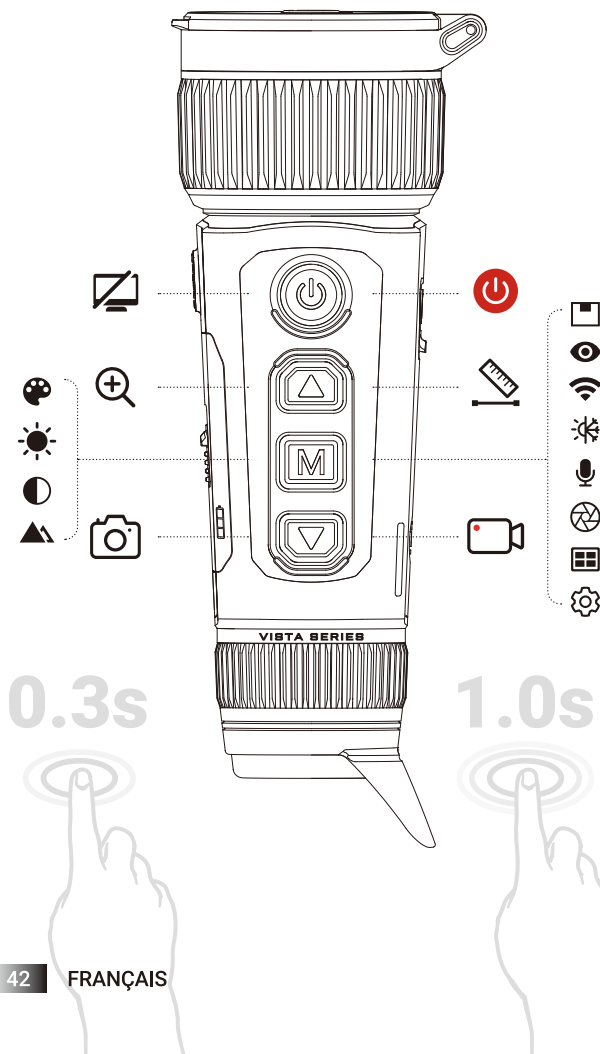


# Installation de la batterie



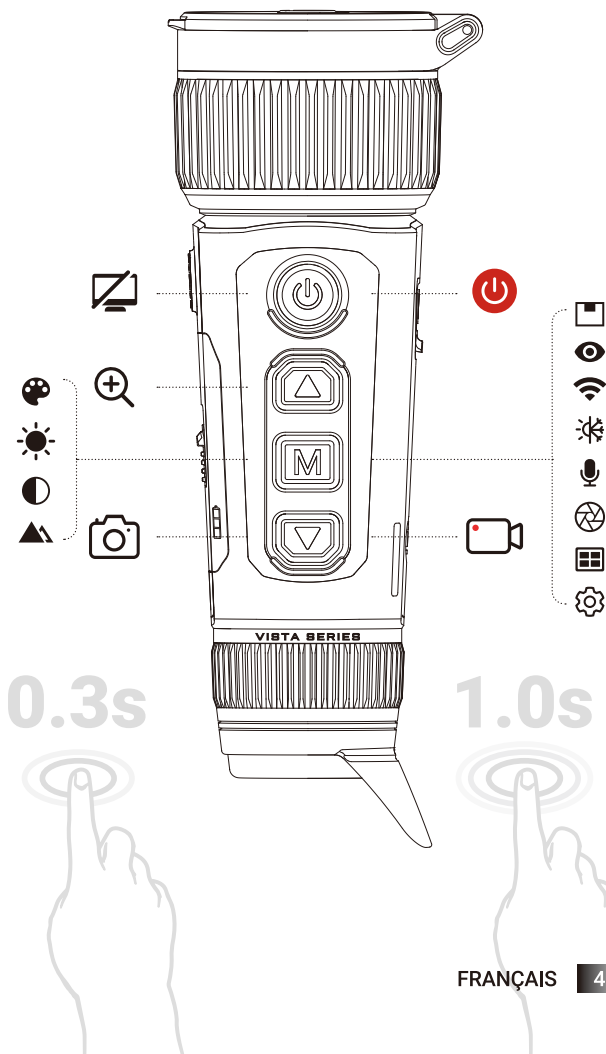
# Description des boutons

VISTA S50R / VISTA H50R / VISTA H35R



# Description des boutons

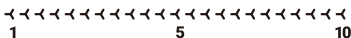
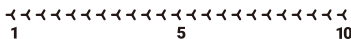
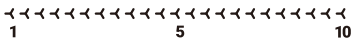
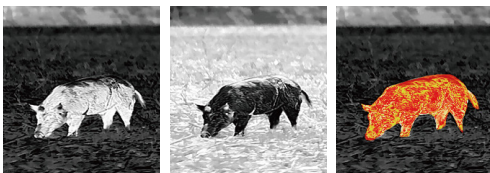
VISTA H50 / VISTA H35



# Description des boutons



# Menu des raccourcis



# Menu principal

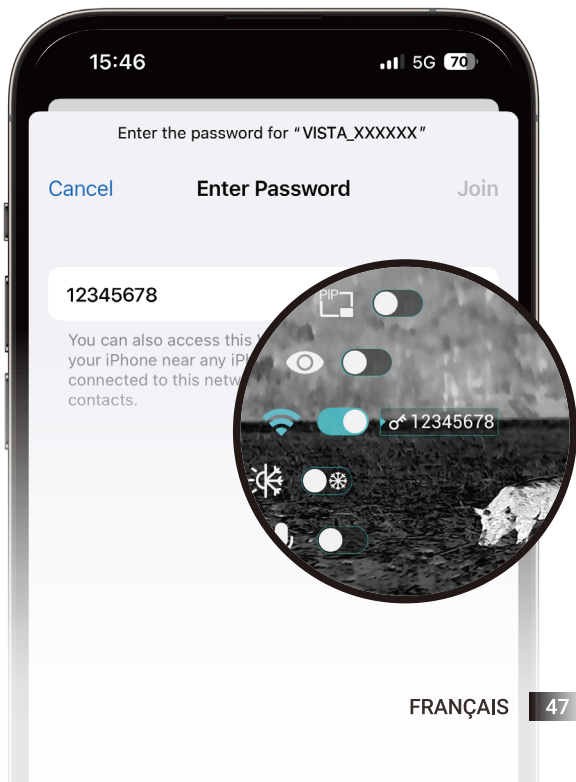


Afficher



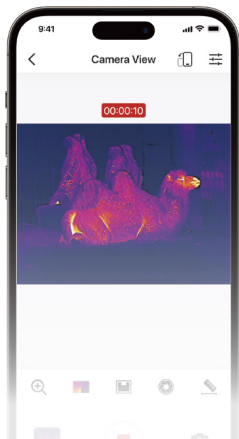
Masquer

# | App

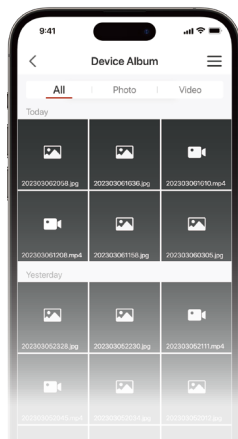




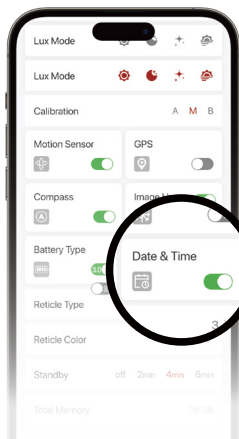
Mise à jour  
du firmware



Transmission d'images  
en temps réel



Fichier de  
périphérique



Calibrage de la  
date et de l'heure



# Spécifications

Modèle	VISTA H35	VISTA H50
Capteur thermique, Pixels	640×512,12µm	
NETD, mK	≤15	
Fréquence des frames, Hz	60	
Objectif principal, mm	35 F0.9	50 F0.9
Champ de vision, °/m à 100m	12.5×10.0/ 22×18	8.8×7.0/ 15×12
Grossissement, x	3~28	4~40
Portée de détection, m (taille de la cible: 1.7 m x 0.5 m, P(n) =99%)	1800	2600
Distanza interoculare. mm	25	
Diamètre de la pupille de sortie. mm	8	
Dioptrie, D	-4 ~ +6	
Écran	AMOLED 2560×2560	
Type de batterie	Batterie Li-ion remplaçable IBP-7/4400 mAh	
Autonomie maximale de la batterie (t=22°C), h	5.5	
Microphone	Support	
Capacité de la mémoire intégrée, Go	64	
Indice IP	IP67	
Température de fonctionnement. °C	-20 ~ +50	
Poids, g (avec batterie)	600	630
Dimensions, mm	184×61×71	190×67×79

<b>Modèle</b>	<b>VISTA H35R</b>	<b>VISTA H50R</b>
Capteur thermique, Pixels	640×512, 12µm	
NETD, mK	≤15	
Fréquence des frames, Hz	60	
Objectif principal, mm	35 F0.9	50 F0.9
Champ de vision, °/m à 100m	12.5×10.0/ 22×18	8.8×7.0/ 15×12
Grossissement, x	3~28	4~40
Portée de détection, m (taille de la cible: 1.7 m x 0.5 m, P(n) =99%)	1800	2600
Distanza interoculare. mm	25	
Diamètre de la pupille de sortie. mm	8	
Dioptrie, D	-4 ~ +6	
Écran	AMOLED 2560×2560	
Type de batterie	Batterie Li-ion remplaçable IBP-7/4400 mAh	
Autonomie maximale de la batterie (t=22°C), h	5.5	
Classe de sécurité pour le laser	Class 1	
LRF, m	1200	
Microphone	Support	
Capacité de la mémoire intégrée, Go	64	
Indice IP	IP67	
Température de fonctionnement. °C	-20 ~ +50	
Poids, g (avec batterie)	640	650
Dimensions, mm	190×67×79	194×70×82

<b>Modèle</b>	<b>VISTA S50R</b>
Capteur thermique, Pixels	1280×1024,12µm
NETD, mK	≤15
Fréquence desframes, Hz	60
Objectif principal, mm	50 F0.9
Champ de vision,°/m à100m	17.5×14.0/31×25
Grossissement, x	2~40
Portée de détection,m (taille de la cible: 1.7 m x 0.5 m, P(n) =99%)	2600
Distanza interoculare. mm	25
Diamètre de la pupille de sortie. mm	8
Dioptrie, D	-5 ~ +3
Écran	AMOLED 2560×2560
Type de batterie	Batterie Li-ion remplaçable IBP-7/4400 mAh
Autonomie maximale dela batterie (t=22°C), h	4.5
Classe de sécurité pour le laser	Class 1
LRF, m	1200
Microphone	Support
Capacité de la mémoireintégrée, Go	64
Indice IP	IP67
Température defonctionnement. °C	-20 ~ +50
Poids, g (avec batterie)	690
Dimensions, mm	201×70×82

# Obtenir plus d'informations



Site web:  
[www.nocpix.com](http://www.nocpix.com)



Manuel de l'Utilisateur



Facebook

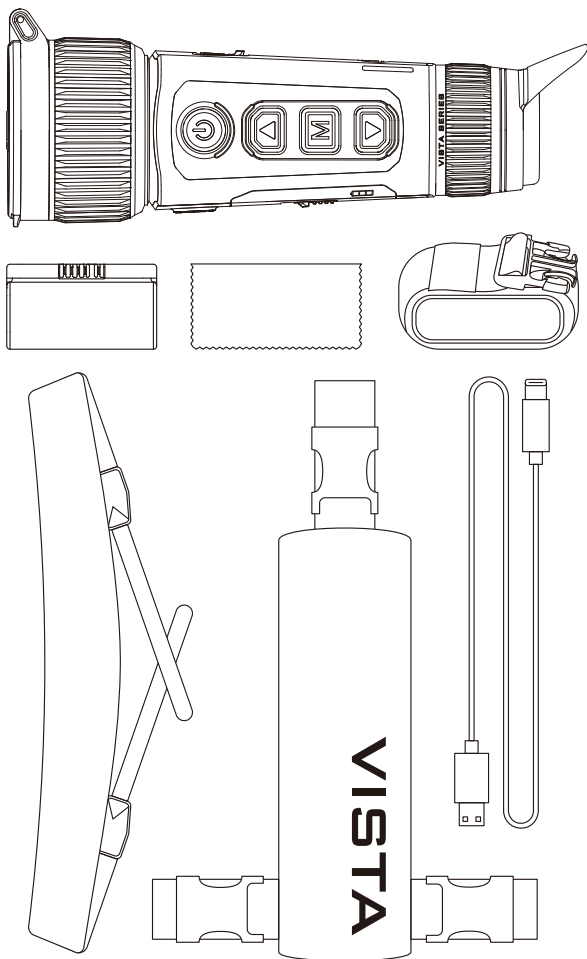


Instagram

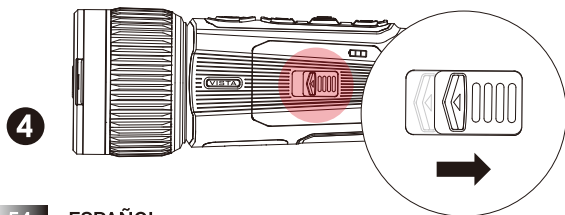
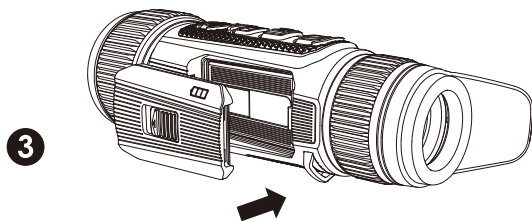
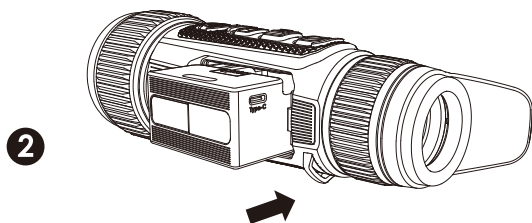
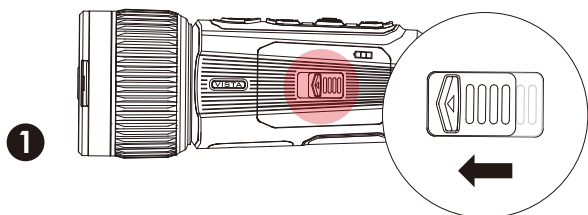


YouTube

## | Accesorios

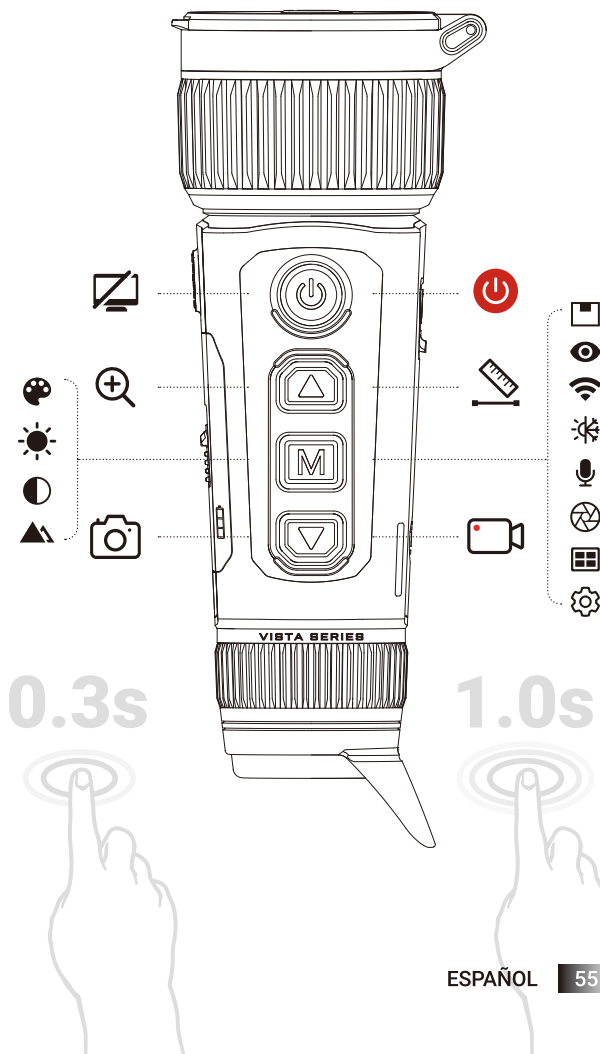


# Instalación de la batería



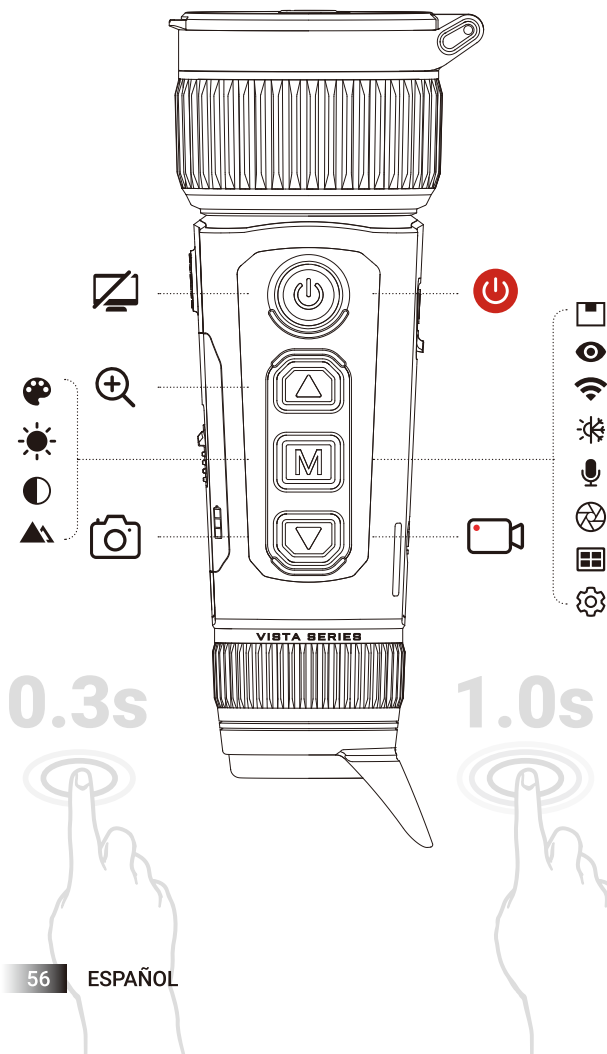
# Descripciones de botones

VISTA S50R / VISTA H50R / VISTA H35R



# Descripciones de botones

VISTA H50 / VISTA H35

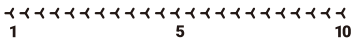
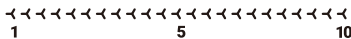
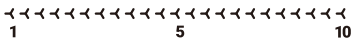
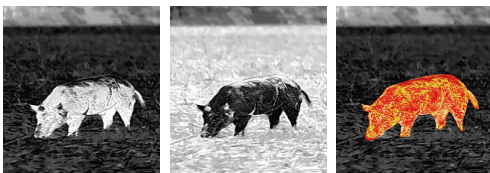




# Descripciones de botones



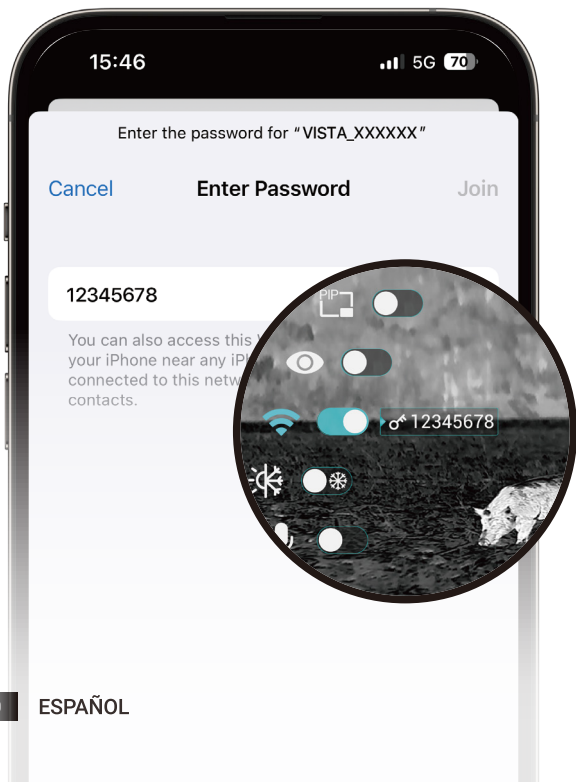
# Menú breve



# Menú principal

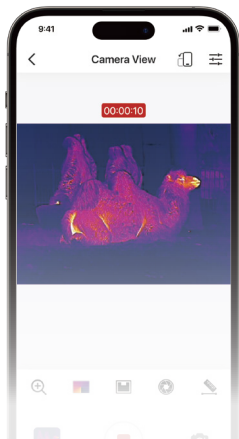


# | App

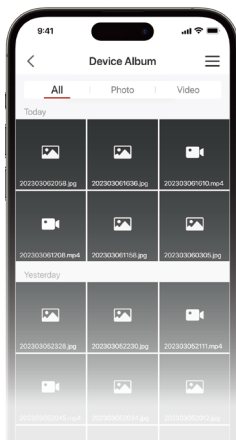




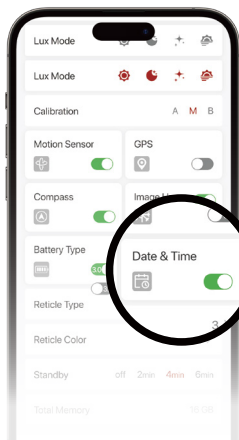
Actualización de firmware



Transmisión de imágenes en tiempo real



Archivo de dispositivo



Calibración de fecha y hora

# Especificaciones

Modelo	VISTA H35	VISTA H50
Sensor termal, Pixels	640×512,12μm	
NETD, mK	≤15	
Velocidad de fotogramas, Hz	60	
Lente Objetiva, mm	35 F0.9	50 F0.9
Campo de visión, °/m a 100 m	12.5×10.0/ 22×18	8.8×7.0/ 15×12
Magnificación, x	3~28	4~40
Rango de detección, m(Tamaño objetivo: 1.7m x 0,5 m,P(n)=99%)	1800	2600
Alivio ocular, mm	25	
Diámetro de la pupila de salida, mm	8	
Dioptrias, D	-4 ~ +6	
Pantalla	AMOLED 2560×2560	
Batería	Paquete de baterías de iones de litio reemplazables IBP-7/4400 mAh	
Vida útil máxima de labatera (t =22°C), h	5.5	
micrófono	Soporte	
Cantidad de memoria incorporada, GB	64	
Clasificación IP	IP67	
temperatura defuncionamiento. °C	-20 ~ +50	
Peso, g (con batería)	600	630
Dimensión, mm	184×61×71	190×67×79

<b>Modelo</b>	<b>VISTA H35R</b>	<b>VISTA H50R</b>
Sensor termal, Pixels	640×512,12μm	
NETD, mK	≤15	
Velocidad de fotogramas, Hz	60	
Lente Objetiva, mm	35 F0.9	50 F0.9
Campo de visión, °/m a 100 m	12.5×10.0/ 22×18	8.8×7.0/ 15×12
Magnificación, x	3~28	4~40
Rango de detección, m(Tamaño objetivo: 1.7m x 0,5 m,P(n)=99%)	1800	2600
Alivio ocular, mm	25	
Diámetro de la pupila de salida, mm	8	
Dioptrias, D	-4 ~ +6	
Pantalla	AMOLED 2560×2560	
Batería	Paquete de baterías de iones de litio reemplazables IBP-7/4400 mAh	
Vida útil máxima de labatera (t =22°C), h	5.5	
Clase de seguridad para láser.	Class 1	
LRF, m	1200	
micrófono	Soporte	
Cantidad de memoria incorporada, GB	64	
Clasificación IP	IP67	
temperatura defuncionamiento. °C	-20 ~ +50	
Peso, g (con batería)	640	650
Dimensión, mm	190×67×79	194×70×82

<b>Modelo</b>	<b>VISTA S50R</b>
Sensor termal, Pixels	1280×1024,12μm
NETD, mK	≤15
Velocidad de fotogramas, Hz	60
Lente Objetiva, mm	50 F0.9
Campo de visión, °/m a 100 m	17.5×14.0/31×25
Magnificación, x	2~40
Rango de detección, m(Tamaño objetivo: 1.7m x 0,5 m,P(n)=99%)	2600
Alivio ocular, mm	25
Diámetro de la pupila de salida, mm	8
Dioptrias, D	-5 ~ +3
Pantalla	AMOLED 2560×2560
Batería	Paquete de baterías de iones de litio reemplazables IBP-7/4400 mAh
Vida útil máxima de labatera (t =22°C), h	4.5
Clase de seguridad para láser.	Class 1
LRF, m	1200
micrófono	Soporte
Cantidad de memoria incorporada, GB	64
Clasificación IP	IP67
temperatura defuncionamiento. °C	-20 ~ +50
Peso, g (con batería)	690
Dimensión, mm	201×70×82



## Obtener mas informacion



Sitio web:  
[www.nocpix.com](http://www.nocpix.com)



Manual de usuario



Facebook



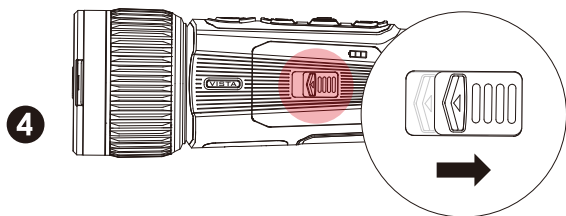
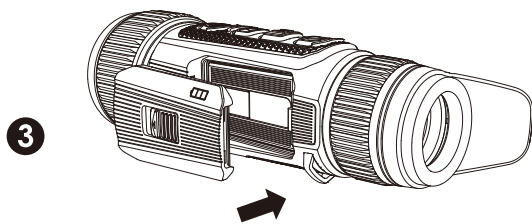
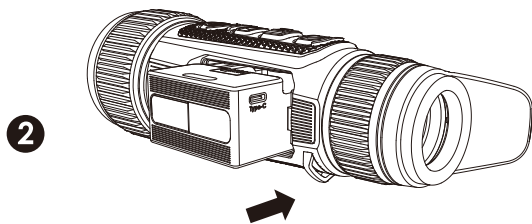
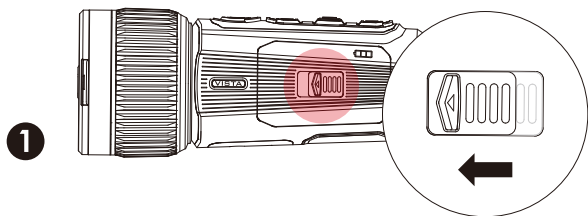
Instagram



YouTube

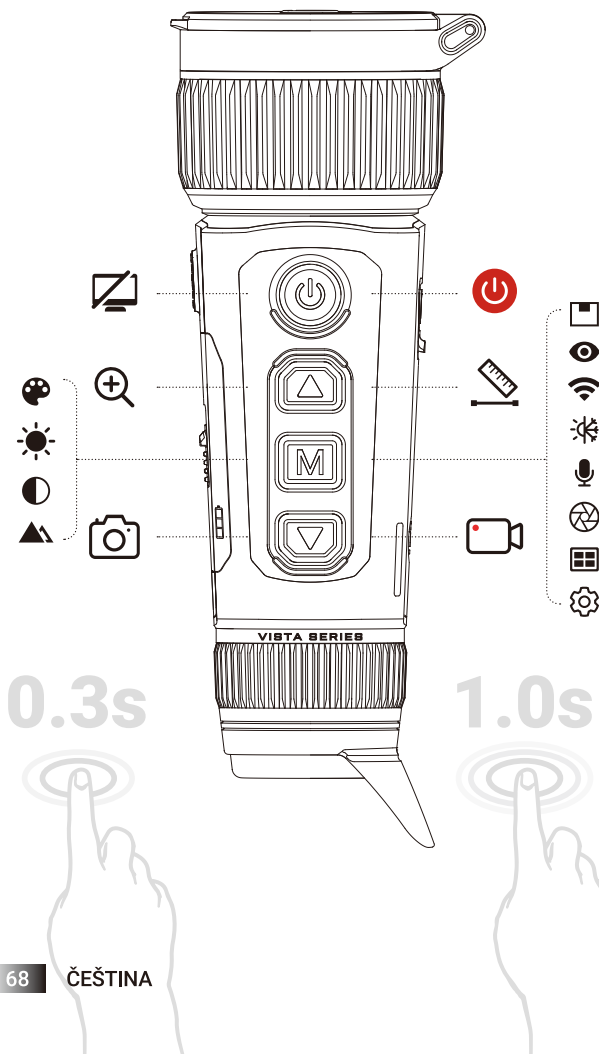


# Instalace baterie



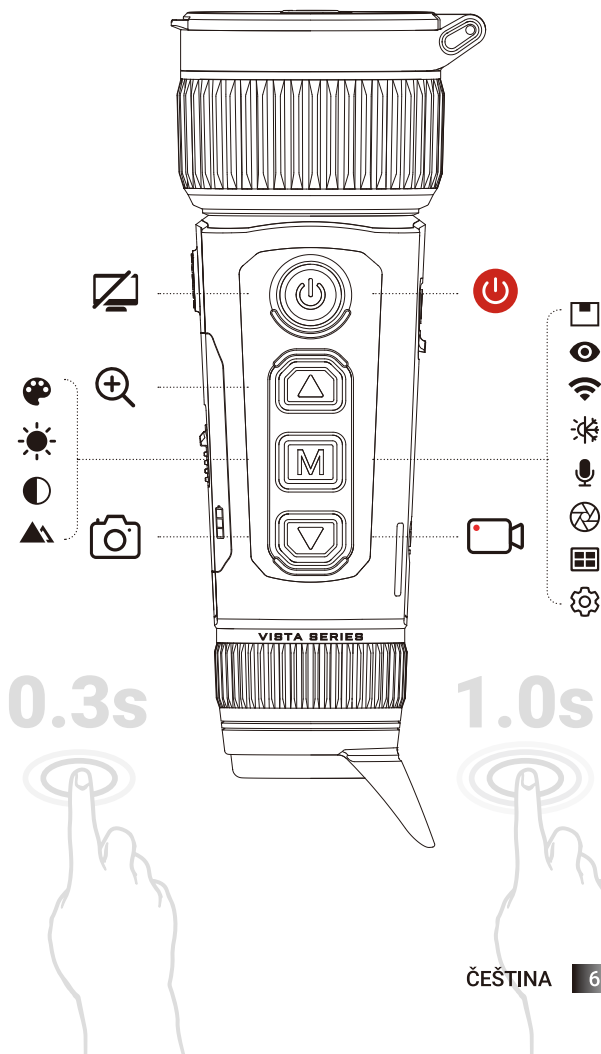
# Popis tlačítek

VISTA S50R / VISTA H50R / VISTA H35R



# Popis tlačítek

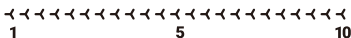
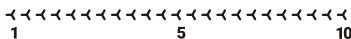
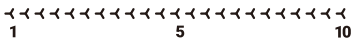
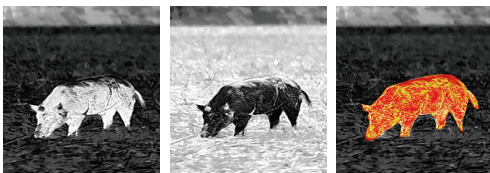
VISTA H50 / VISTA H35



# Popis tlačítek



# Zkratkové menu



# Hlavní menu



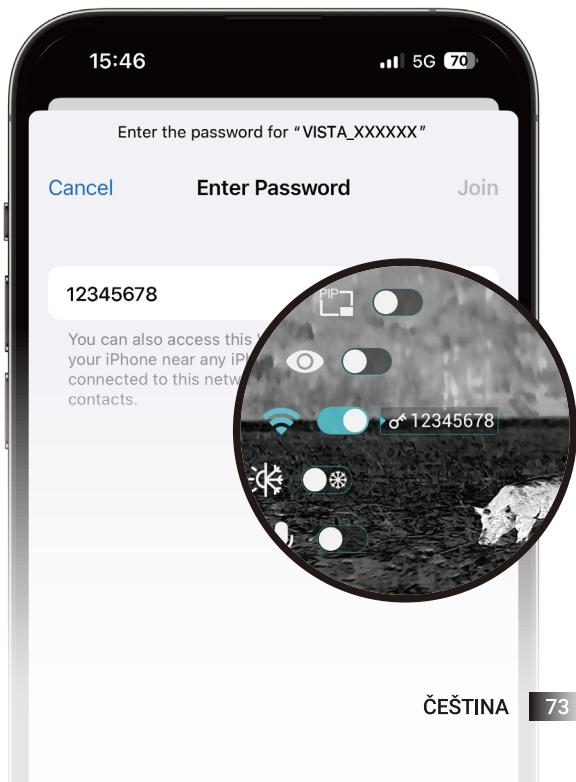
Zobrazit



Skrýt

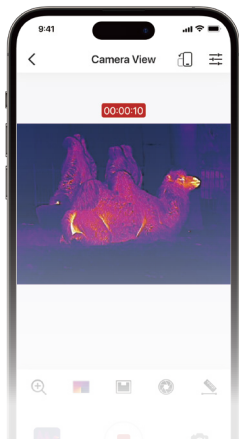



# APLIKACE

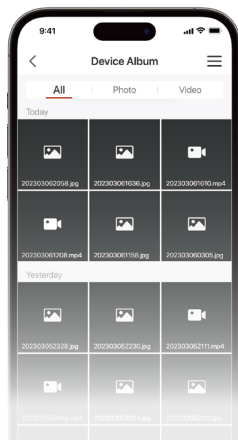




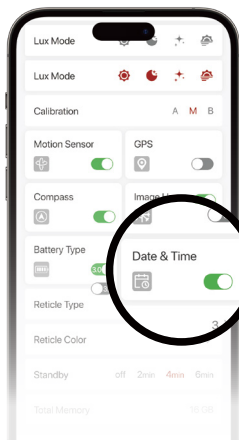
 Aktualizace firmwaru



 Přenos obrázku v  
reálném čase



 Soubor zařízení



 Kalibrace  
data & času

# Specifikace

Vzor	VISTA H35	VISTA H50
Rozlišení, Pixely	640×512,12μm	
NETD, mK	≤15	
Rychlost snímků, Hz	60	
Objektiv, mm	35 F0.9	50 F0.9
Zorné pole (H×V), °/m na 100 m	12.5×10.0/ 22×18	8.8×7.0/ 15×12
Zvětšení, x	3~28	4~40
Detektivní rozsah, m (Cílová velikost: 1,7 m×0,5 m, P(n)=99%)	1800	2600
Oční úleva, mm	25	
Ukončit průměr zornice, mm	8	
Dioptr, D	-4 ~ +6	
Displej	AMOLED 2560×2560	
Typ baterie	Vyměnitelná Li-iontová baterie IBP-7/4400 mAh	
Max. provozní doba, (t=22°C) h	5.5	
MIC	Podpora	
Kapacita paměti, GB	64	
Hodnocení IP	IP67	
Provozní teplota, °C	-20 ~ +50	
Hmotnost, g (s baterií)	600	630
Rozměr, mm	184×61×71	190×67×79

Vzor	VISTA H35R	VISTA H50R
Rozlišení, Pixely	640×512,12μm	
NETD, mK	≤15	
Rychlost snímků, Hz	60	
Objektiv, mm	35 F0.9	50 F0.9
Zorné pole (H×V), °/m na 100 m	12.5×10.0/ 22×18	8.8×7.0/ 15×12
Zvětšení, x	3~28	4~40
Detektivní rozsah, m (Cílová velikost: 1,7 m×0,5 m, P(n)=99%)	1800	2600
Oční úleva, mm	25	
Ukončit průměr zornice, mm	8	
Dioptér, D	-4 ~ +6	
Displej	AMOLED 2560×2560	
Typ baterie	Vyměnitelná Li-iontová baterie IBP-7/4400 mAh	
Max. provozní doba, (t=22°C) h	5.5	
Bezpečnostní třída pro laser	Třída 1	
LRF, m	1200	
MIC	Podpora	
Kapacita paměti, GB	64	
Hodnocení IP	IP67	
Provozní teplota, °C	-20 ~ +50	
Hmotnost, g (s baterií)	640	650
Rozměr, mm	190×67×79	194×70×82

Vzor	VISTA S50R
Rozlišení, Pixely	1280×1024,12μm
NETD, mK	≤15
Rychlost snímků, Hz	60
Objektiv, mm	50 F0.9
Zorné pole (H×V), °/m na 100 m	17.5×14.0/31×25
Zvětšení, x	2~40
Detektivní rozsah, m (Cílová velikost: 1,7 m×0,5 m, P(n)=99%)	2600
Oční úleva, mm	25
Ukončit průměr zornice, mm	8
Dioptér, D	-5 ~ +3
Displej	AMOLED 2560×2560
Typ baterie	Vyměnitelná Li-iontová baterie IBP-7/4400 mAh
Max. provozní doba, (t=22°C) h	4.5
Bezpečnostní třída pro laser	Třída 1
LRF, m	1200
MIC	Podpora
Kapacita paměti, GB	64
Hodnocení IP	IP67
Provozní teplota, °C	-20 ~ +50
Hmotnost, g (s baterií)	690
Rozměr, mm	201×70×82

## Na více informací



Webové stránky:  
[www.nocpix.com](http://www.nocpix.com)



Uživatelský manuál



Facebook

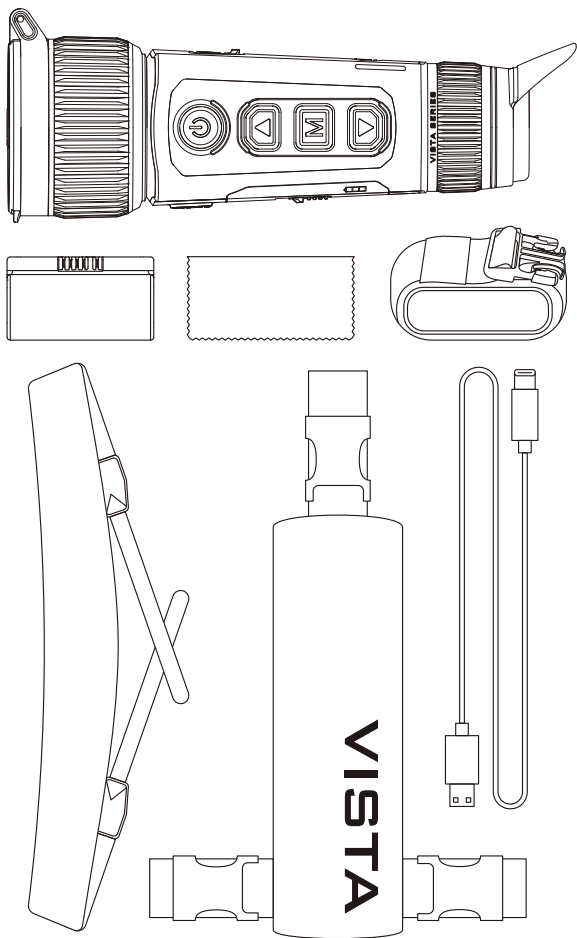


Instagram

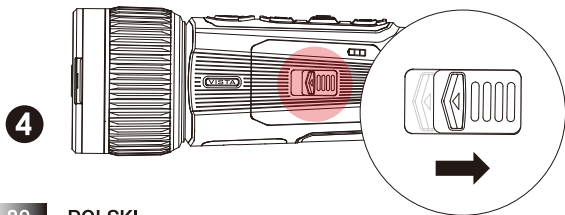
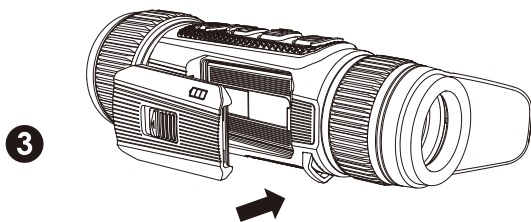
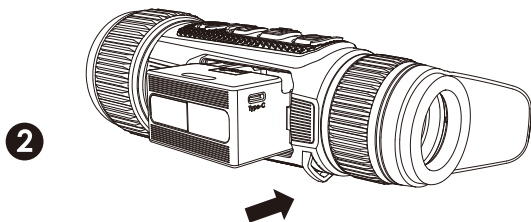
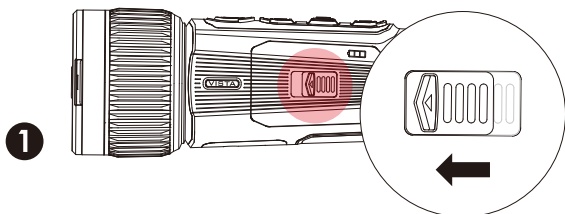


YouTube

## | Akcesoria



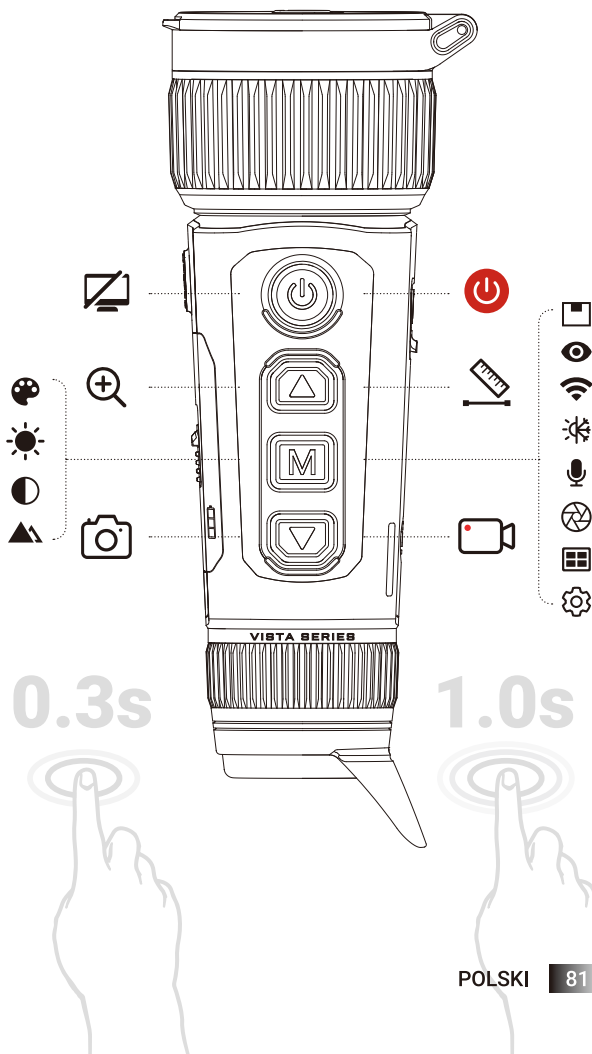
# Instalacja baterii





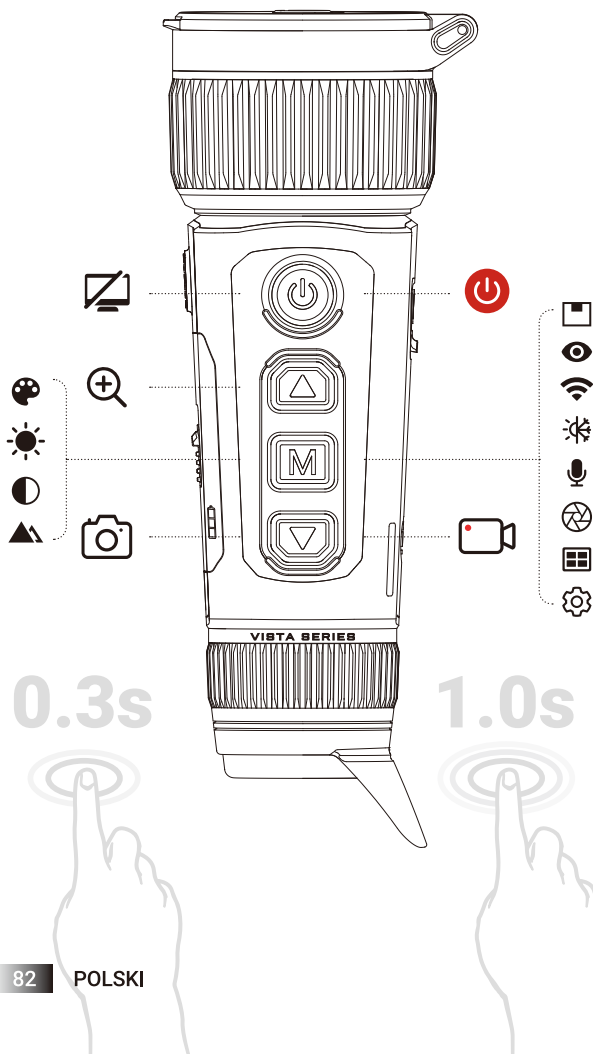
# Opis przycisków

VISTA S50R / VISTA H50R / VISTA H35R

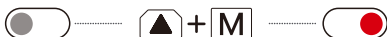


# Opis przycisków

VISTA H50 / VISTA H35



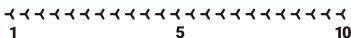
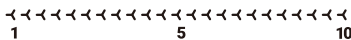
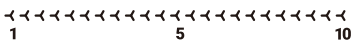
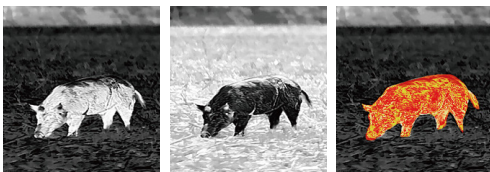
# Opis przycisków



1,0 sek.



# Menu skrótów



# Menu główne

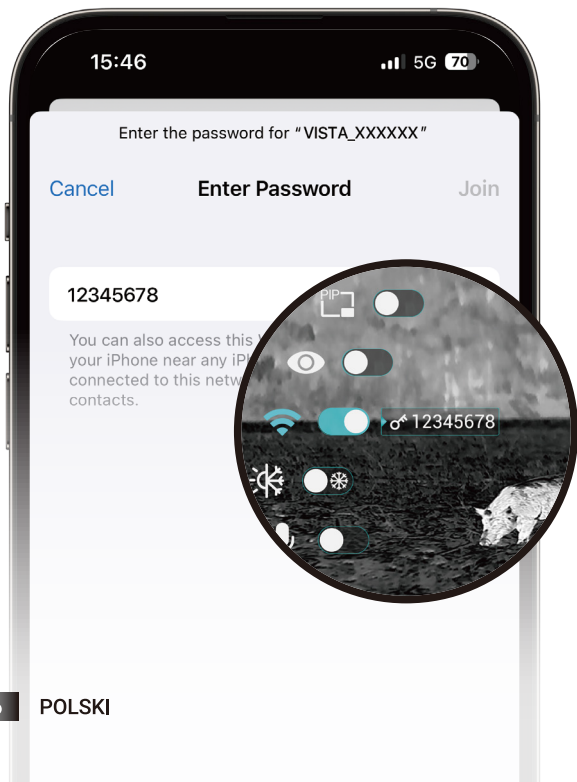


Pokaż



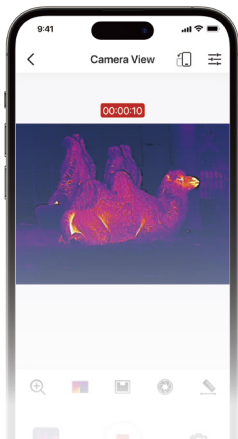
Ukryj

# Aplikacja

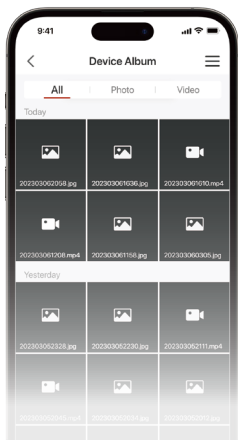




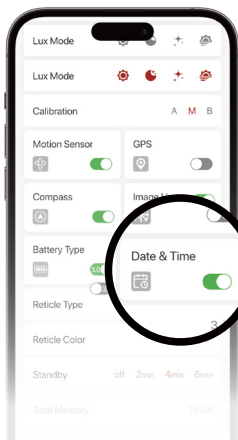
Aktualizacja  
oprogramowania  
układowego



Transmisja obrazu  
w czasie  
rzeczywistym



Plik urządzenia



Kalibracja daty  
i czasu

# Specyfikacje

Model	VISTA H35	VISTA H50
Rozdzielczość, piksele	640×512,12μm	
NETD, mK	≤15	
Częstotliwość odświeżania, Hz	60	
Obiektyw, mm	35 F0.9	50 F0.9
Pole widzenia (H×V), °/m na 100 m	12.5×10.0/ 22×18	8.8×7.0/ 15×12
Powiększenie, x	3~28	4~40
Zasięg wykrywania, m (Rozmiar celu: 1,7 m×0,5 m, P(n)=99%)	1800	2600
Odległość źrenicy wyjściowej, mm	25	
Średnica źrenicy wyjściowej, mm	8	
Dioptria, D	-4 ~ +6	
Wyświetlacz	AMOLED 2560×2560	
Rodzaj baterii	Wymienna bateria akumulatorowa litowo-jonowa IBP-7/4400mAh	
Maksymalny czas pracy, (t=22 °C) godzin	5.5	
Mikrofon	Pomoc	
Pojemność pamięci, GB	64	
Stopień ochrony IP	IP67	
Temperatura pracy, °C	-20 ~ +50	
Waga, g (uwzględniając baterię)	600	630
Wymiary, mm	184×61×71	190×67×79



<b>Model</b>	<b>VISTA H35R</b>	<b>VISTA H50R</b>
Rozdzielczość, piksele	640×512,12μm	
NETD, mK	≤15	
Częstotliwość odświeżania, Hz	60	
Obiektyw, mm	35 F0.9	50 F0.9
Pole widzenia (H×V), °/m na 100 m	12.5×10.0/ 22×18	8.8×7.0/ 15×12
Powiększenie, x	3~28	4~40
Zasięg wykrywania, m (Rozmiar celu: 1,7 m×0,5 m, P(n)=99%)	1800	2600
Odległość źrenicy wyjściowej, mm	25	
Średnica źrenicy wyjściowej, mm	8	
Dioptria, D	-4 ~ +6	
Wyświetlacz	AMOLED 2560×2560	
Rodzaj baterii	Wymienna bateria akumulatorowa litowo-jonowa IBP-7/4400mAh	
Maksymalny czas pracy, (t=22 °C) godzin	5.5	
Klasa bezpieczeństwa lasera	Klasa 1	
Dalmierz laserowy, m	1200	
Mikrofon	Pomoc	
Pojemność pamięci, GB	64	
Stopień ochrony IP	IP67	
Temperatura pracy, °C	-20 ~ +50	
Waga, g (uwzględniając baterię)	640	650
Wymiary, mm	190×67×79	194×70×82

<b>Model</b>	<b>VISTA S50R</b>
Rozdzielczość, piksele	1280×1024,12μm
NETD, mK	≤15
Częstotliwość odświeżania, Hz	60
Obiektyw, mm	50 F0.9
Pole widzenia (H×V), °/m na 100 m	17.5×14.0/31×25
Powiększenie, x	2~40
Zasięg wykrywania, m (Rozmiar celu: 1,7 m×0,5 m, P(n)=99%)	2600
Odległość źrenicy wyjściowej, mm	25
Średnica źrenicy wyjściowej, mm	8
Dioptria, D	-5 ~ +3
Wyświetlacz	AMOLED 2560×2560
Rodzaj baterii	Wymienna bateria akumulatorowa litowo-jonowa IBP-7/4400mAh
Maksymalny czas pracy, (t=22 °C) godzin	4.5
Klasa bezpieczeństwa lasera	Klasa 1
Dalmierz laserowy, m	1200
Mikrofon	Pomoc
Pojemność pamięci, GB	64
Stopień ochrony IP	IP67
Temperatura pracy, °C	-20 ~ +50
Waga, g (uwzględniając baterię)	690
Wymiary, mm	201×70×82

## Dowiedz się więcej



Strona internetowa:  
[www.nocopix.com](http://www.nocopix.com)



Instrukcja obsługi



Facebook

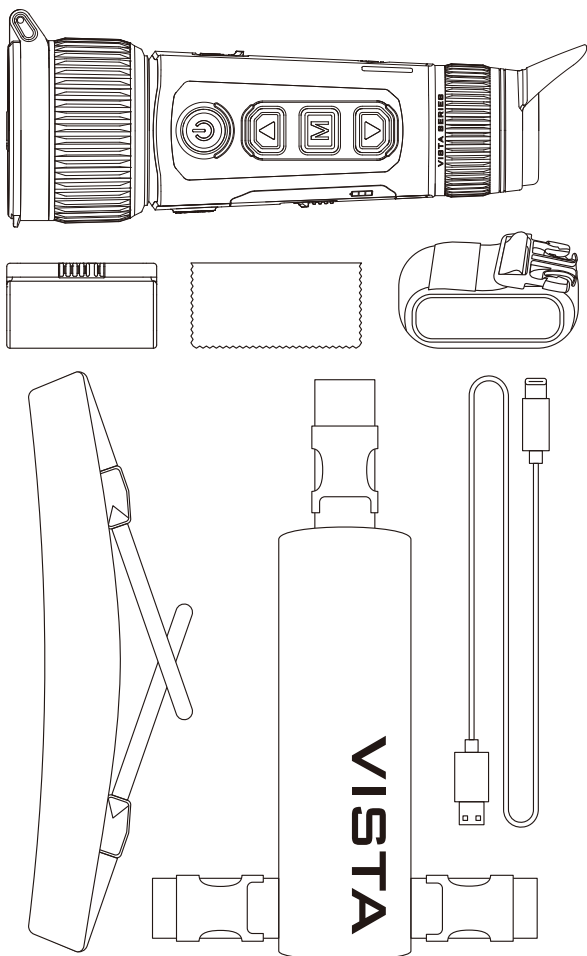


Instagram

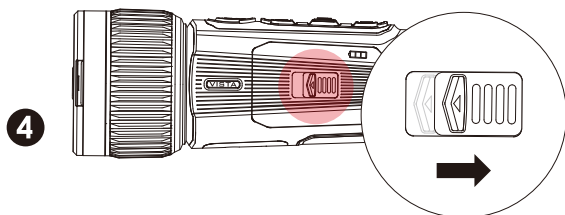
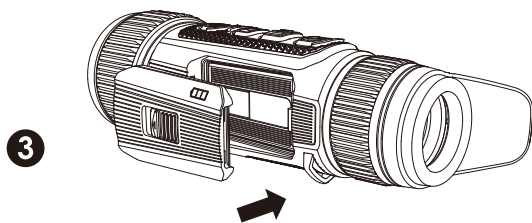
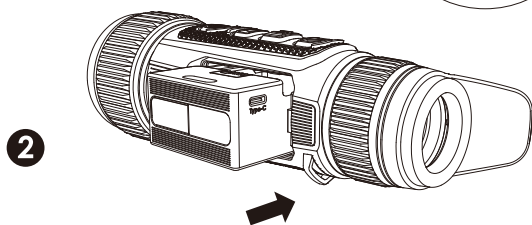
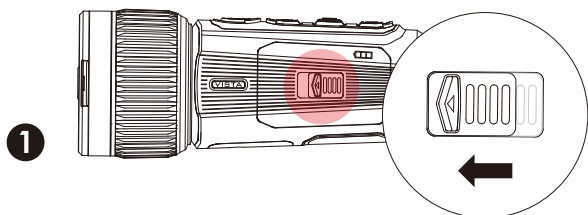


YouTube

# Tillbehör

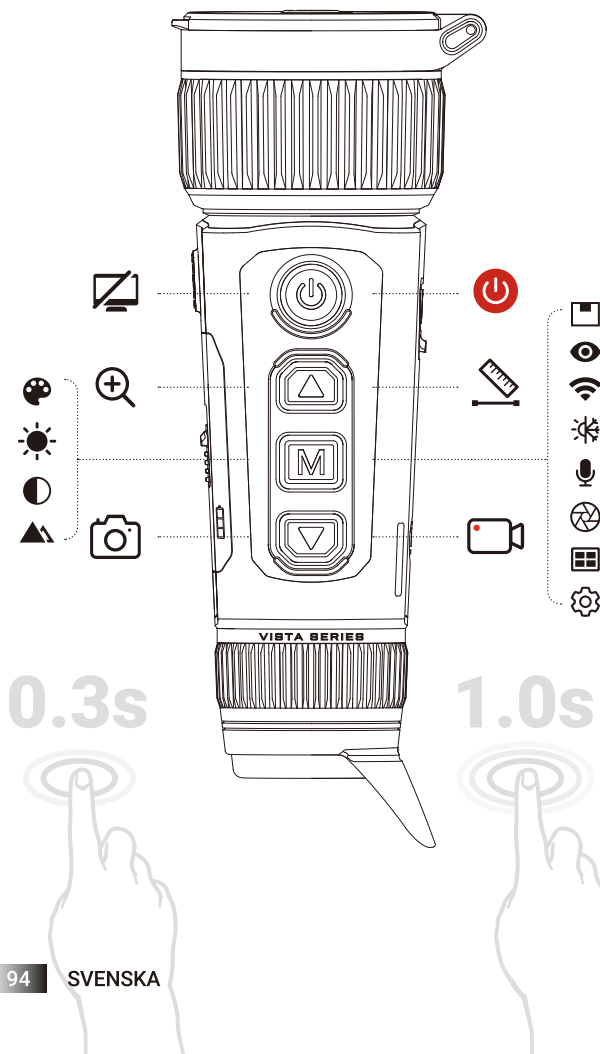


# Installation av batteri



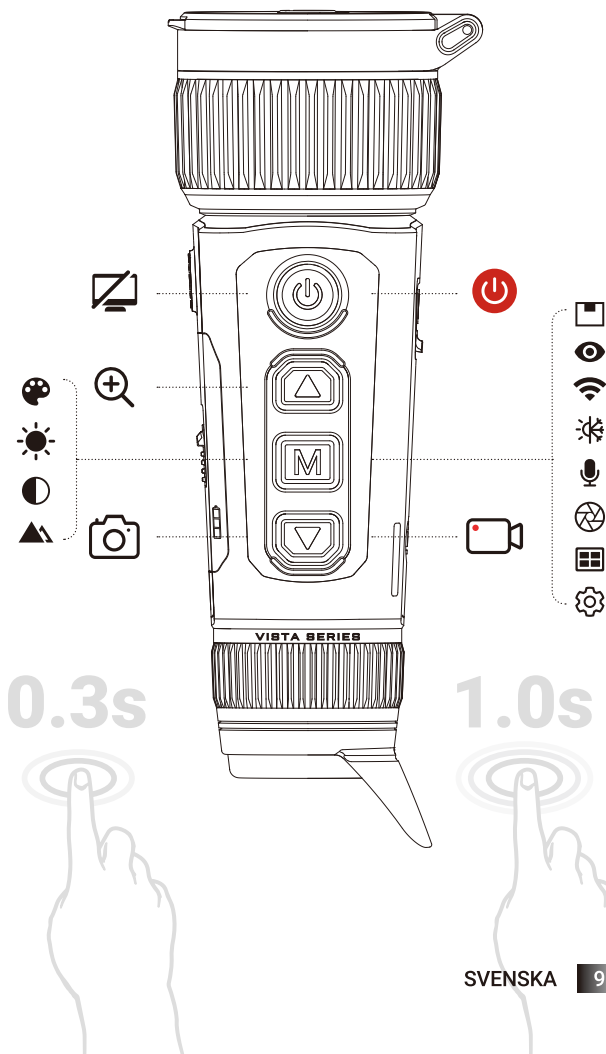
# Knappbeskrivningar

VISTA S50R / VISTA H50R / VISTA H35R



# Knappbeskrivningar

VISTA H50 / VISTA H35

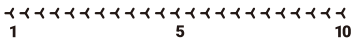
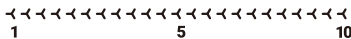
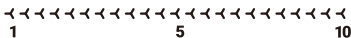
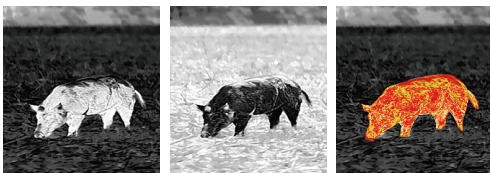


# Knappbeskrivningar





# Genvägsmeny



# Huvudmeny

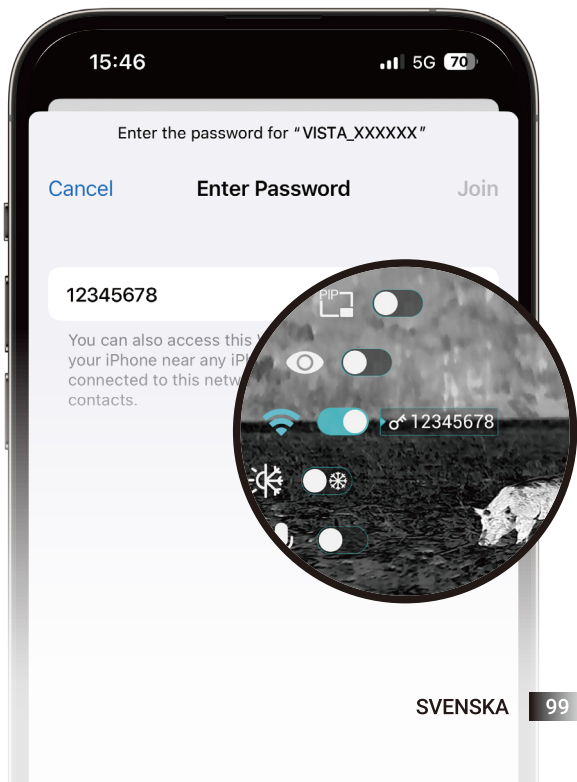


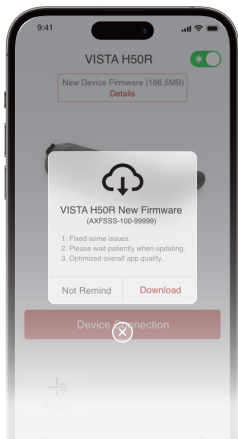
Visa



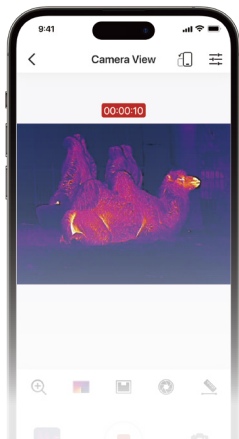
Dölj

# | App

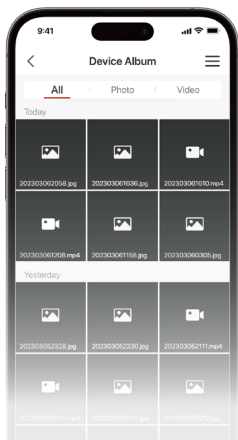




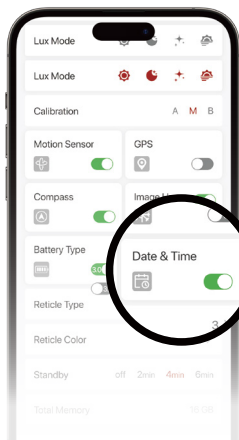
Firmware-uppgradering



Bildöverföring i realtid



Enhetens fil



Kalibrering av datum och tid

# Specifikationer

Modell	VISTA H35	VISTA H50
Upplösning, pixlar	640×512,12µm	
NETD, mK	≤15	
Bildhastighet, Hz	60	
Objektivlins, mm	35 F0.9	50 F0.9
Synfält (H×V), °/m på 100 m	12.5×10.0/ 22×18	8.8×7.0/ 15×12
Förstoring, ×	3~28	4~40
Detektionsområde,m (Målstorlek:1,7 m × 0,5 m, P(n)=99 %)	1800	2600
Ögonlindring, mm	25	
Utgångspupillens diameter, mm	8	
Dioptri, D	-4 ~ +6	
Display	AMOLED 2560×2560	
Batterityp	Utbytbart litium-jon-batteripaket IBP-7/4400 mAh	
Max. batteritid, (t= 22 °C) h	5.5	
MIK	Stödjer	
Minneskapacitet, GB	64	
IP-klassning	IP67	
Drifttemperatur, °C	-20 ~ +50	
Vikt, g (med batteri)	600	630
Dimension, mm	184×61×71	190×67×79

<b>Modell</b>	<b>VISTA H35R</b>	<b>VISTA H50R</b>
Upplösning, pixlar	640×512, 12µm	
NETD, mK	≤15	
Bildhastighet, Hz	60	
Objektivlins, mm	35 F0.9	50 F0.9
Synfält (H×V), °/m på 100 m	12.5×10.0/ 22×18	8.8×7.0/ 15×12
Förstoring, ×	3~28	4~40
Detektionsområde, m (Målstorlek: 1,7 m × 0,5 m, P(n)=99 %)	1800	2600
Ögonlindring, mm	25	
Utgångspupillens diameter, mm	8	
Dioptri, D	-4 ~ +6	
Display	AMOLED 2560×2560	
Batterityp	Utbytbart litium-jon-batteripaket IBP-7/4400 mAh	
Max. batteritid, (t= 22 °C) h	5.5	
Säkerhetsklass för laser	Klass 1	
LAM, m	1200	
MIK	Stödjer	
Minneskapacitet, GB	64	
IP-klassning	IP67	
Drifttemperatur, °C	-20 ~ +50	
Vikt, g (med batteri)	640	650
Dimension, mm	190×67×79	194×70×82

Modell	VISTA S50R
Upplösning, pixlar	1280×1024,12µm
NETD, mK	≤15
Bildhastighet, Hz	60
Objektivlins, mm	50 F0.9
Synfält (H×V), °/m på 100 m	17.5×14.0/31×25
Förstoring, ×	2~40
Detektionsområde,m (Målstorlek:1,7 m × 0,5 m, P(n)=99 %)	2600
Ögonlindring, mm	25
Utgångspupillens diameter, mm	8
Dioptri, D	-5 ~ +3
Display	AMOLED 2560×2560
Batterityp	Utbytbart litium-jon-batteripaket IBP-7/4400 mAh
Max. batteritid, (t= 22 °C) h	4.5
Säkerhetsklass för laser	Klass 1
LAM, m	1200
MIK	Stödjer
Minneskapacitet, GB	64
IP-klassning	IP67
Drifttemperatur, °C	-20 ~ +50
Vikt, g (med batteri)	690
Dimension, mm	201×70×82

## Få mer information



Webbplats:  
[www.nocpix.com](http://www.nocpix.com)



Bruksanvisning



Facebook



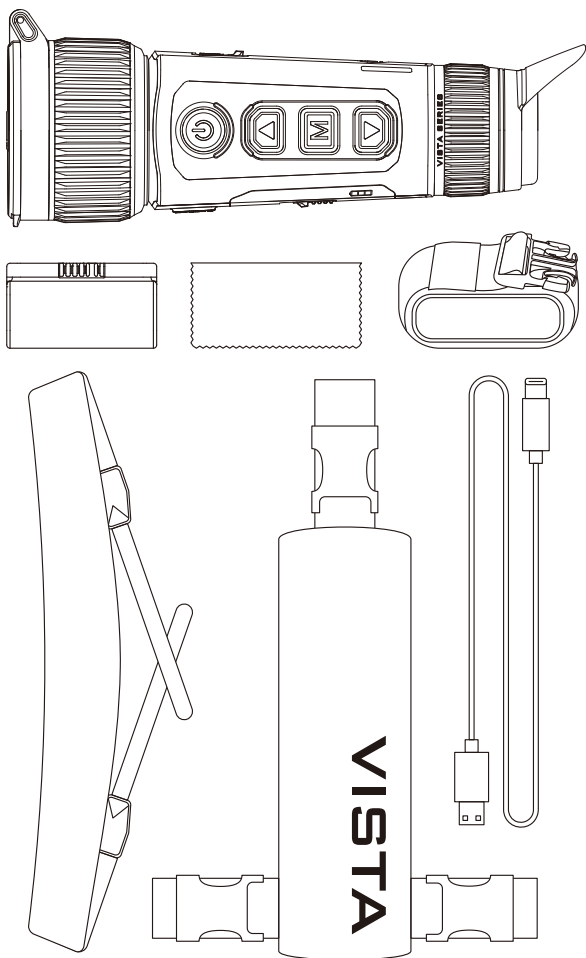
Instagram



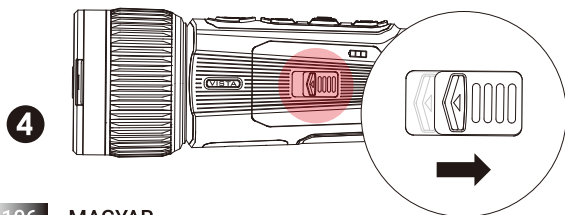
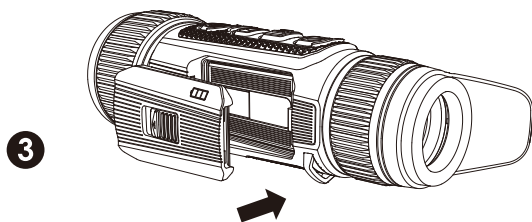
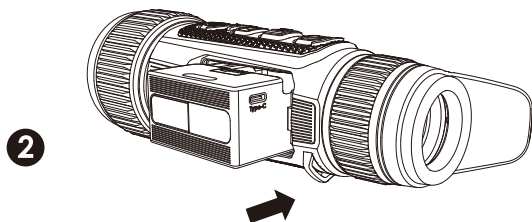
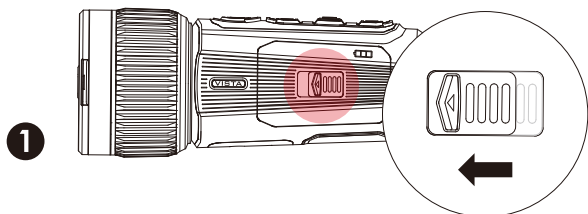
YouTube



## | Kiegészítők

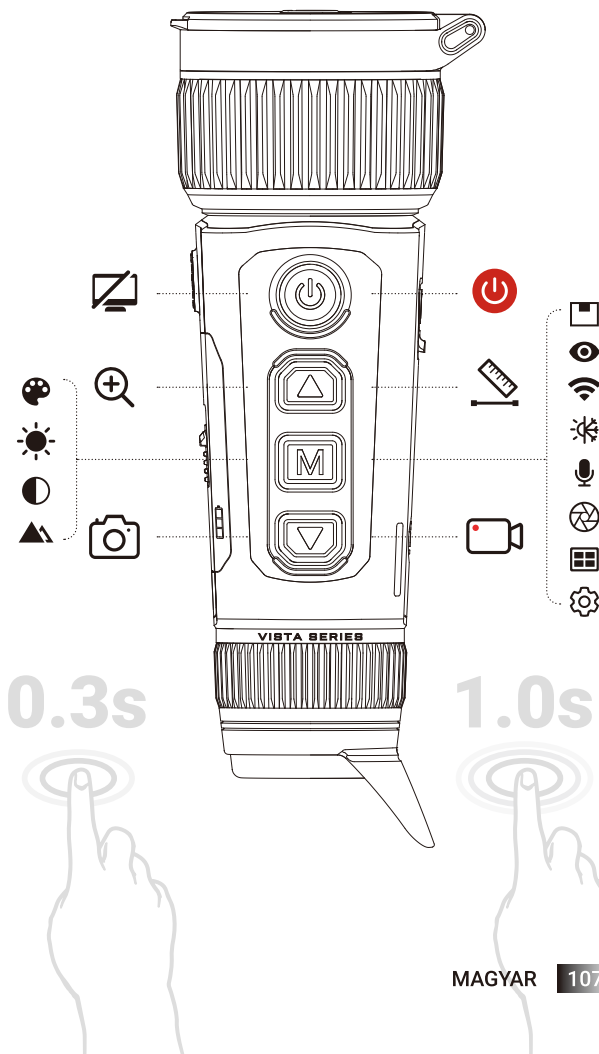


## Akkumulátor beszerelése



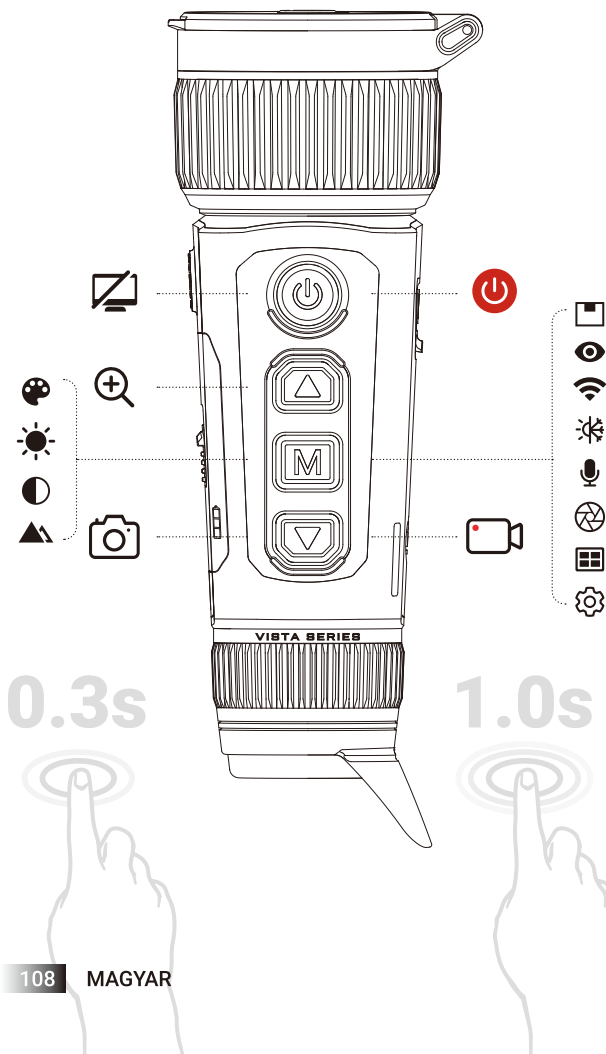
# A gombok leírása

VISTA S50R / VISTA H50R / VISTA H35R



# A gombok leírása

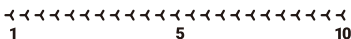
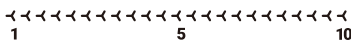
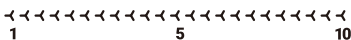
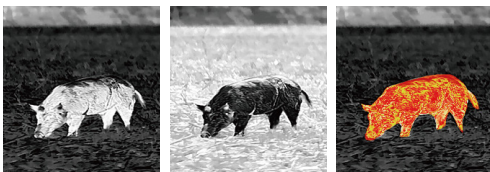
VISTA H50 / VISTA H35



# A gombok leírása



# Parancsikon menü



# Főmenü

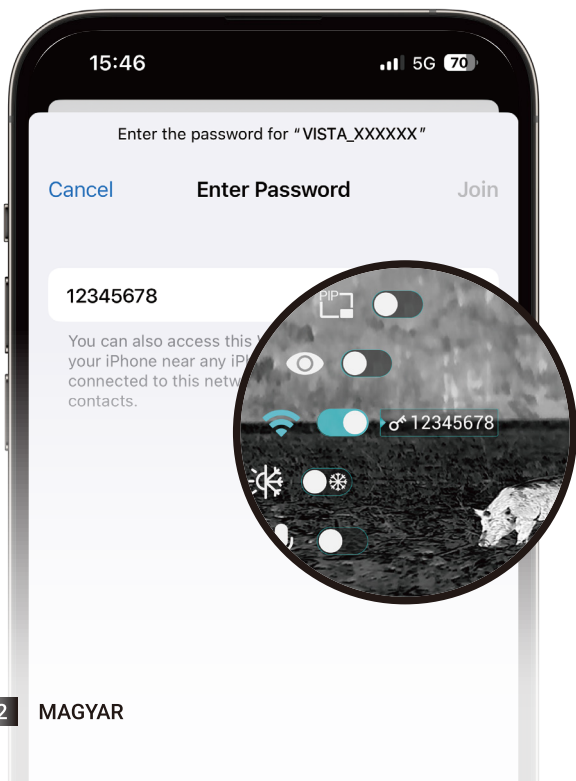


Megjelenítés



Elrejtés

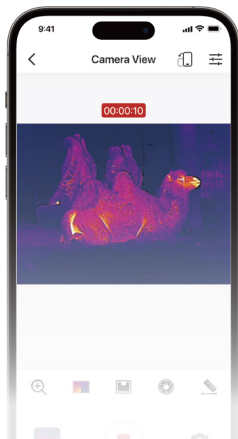
# Alkalmazás



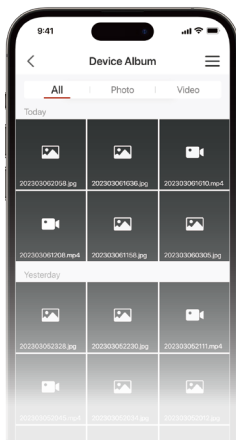




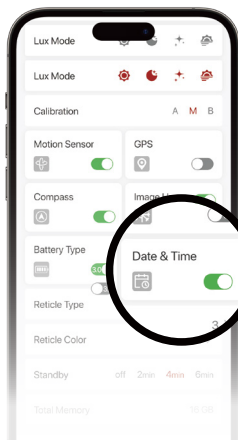
Firmware  
frissítése



Valós idejű képátvitel



Eszközfájlok



Dátum és idő  
kalibrálása

# Specifikációk

Modell	VISTA H35	VISTA H50
Felbontás, pixelek	640×512,12µm	
NETD, mK	≤15	
Képkockasebesség, Hz	60	
Objektívlencse, mm	35 F0.9	50 F0.9
Látómező (H×V), °/m 100 m-en	12.5×10.0/ 22×18	8.8×7.0/ 15×12
Nagyítás, x	3~28	4~40
Észlelési tartomány, m (Célméret: 1,7 m × 0,5 m, P(n)=99%)	1800	2600
Szemkönytyítés, mm	25	
Kilépőpupilla-átmérő, mm	8	
Dioptria, D	-4 ~ +6	
Kijelző	AMOLED 2560×2560	
Akkumulátor típusa	Cserélhető Li-ion akkumulátor IBP-7/ 4400 mAh	
Max. üzemidő (t = 22 °C), h	5.5	
Mikrofon	Támogatás	
Memóriakapacitás, GB	64	
IP-védettség	IP67	
Üzemi hőmérséklet, °C	-20 ~ +50	
Súly, g (akkumulátorral)	600	630
Méretetek, mm	184×61×71	190×67×79

<b>Modell</b>	<b>VISTA H35R</b>	<b>VISTA H50R</b>
Felbontás, pixelek	640×512,12µm	
NETD, mK	≤15	
Képkockasebesség, Hz	60	
Objektívencse, mm	35 F0.9	50 F0.9
Látómező (H×V), °/m 100 m-en	12.5×10.0/ 22×18	8.8×7.0/ 15×12
Nagyítás, x	3~28	4~40
Észlelési tartomány, m (Célméret: 1,7 m × 0,5 m, P(n)=99%)	1800	2600
Szemkönyvítés, mm	25	
Kilépőpupilla-átmérő, mm	8	
Dioptria, D	-4 ~ +6	
Kijelző	AMOLED 2560×2560	
Akkumulátor típusa	Cserélhető Li-ion akkumulátor IBP-7/ 4400 mAh	
Max. üzemi idő (t = 22 °C), h	5.5	
Lézer biztonsági osztálya	1. osztály	
LRF, m	1200	
Mikrofon	Támogatás	
Memóriakapacitás, GB	64	
IP-védettség	IP67	
Üzemi hőmérséklet, °C	-20 ~ +50	
Súly, g (akkumulátorral)	640	650
Méretek, mm	190×67×79	194×70×82

<b>Modell</b>	<b>VISTA S50R</b>
Felbontás, pixelek	1280×1024,12μm
NETD, mK	≤15
Képkockasebesség, Hz	60
Objektívlencse, mm	50 F0.9
Látómező (H×V), °/m 100 m-en	17.5×14.0/31×25
Nagyítás, x	2~40
Észlelési tartomány, m (Célméret: 1,7 m × 0,5 m, P(n)=99%)	2600
Szemkönynyítés, mm	25
Kilépőpupilla-átmérő, mm	8
Dioptria, D	-5 ~ +3
Kijelző	AMOLED 2560×2560
Akkumulátor típusa	Cserélhető Li-ion akkumulátor IBP-7/ 4400 mAh
Max. üzemidő (t = 22 °C), h	4.5
Lézer biztonsági osztálya	1. osztály
LRF, m	1200
Mikrofon	Támogatás
Memóriakapacitás, GB	64
IP-védettség	IP67
Üzemi hőmérséklet, °C	-20 ~ +50
Súly, g (akkumulátorral)	690
Méretetek, mm	201×70×82

## További információk



Weboldal:  
[www.nocpix.com](http://www.nocpix.com)



Felhasználói kézikönyv



Facebook

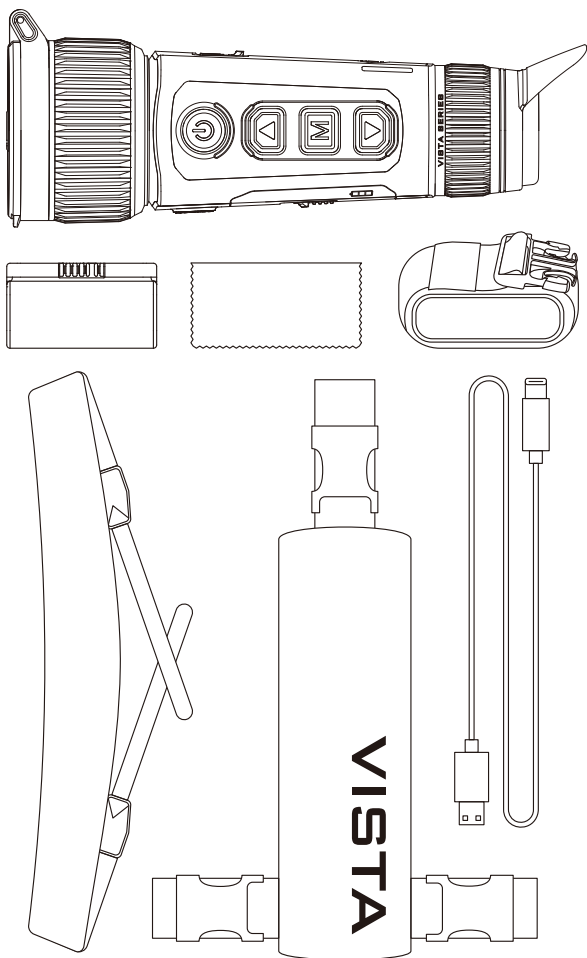


Instagram

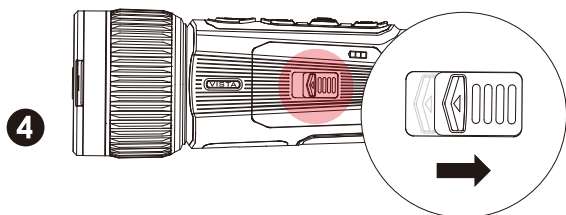
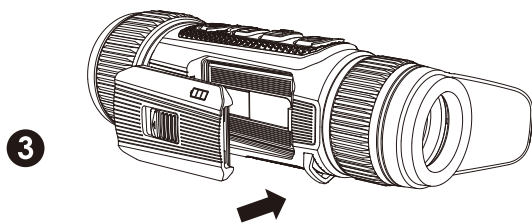
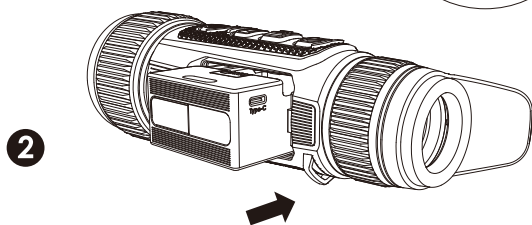
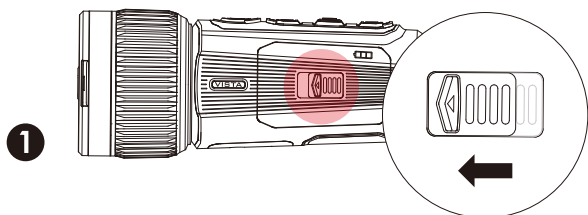


YouTube

## | Acessórios

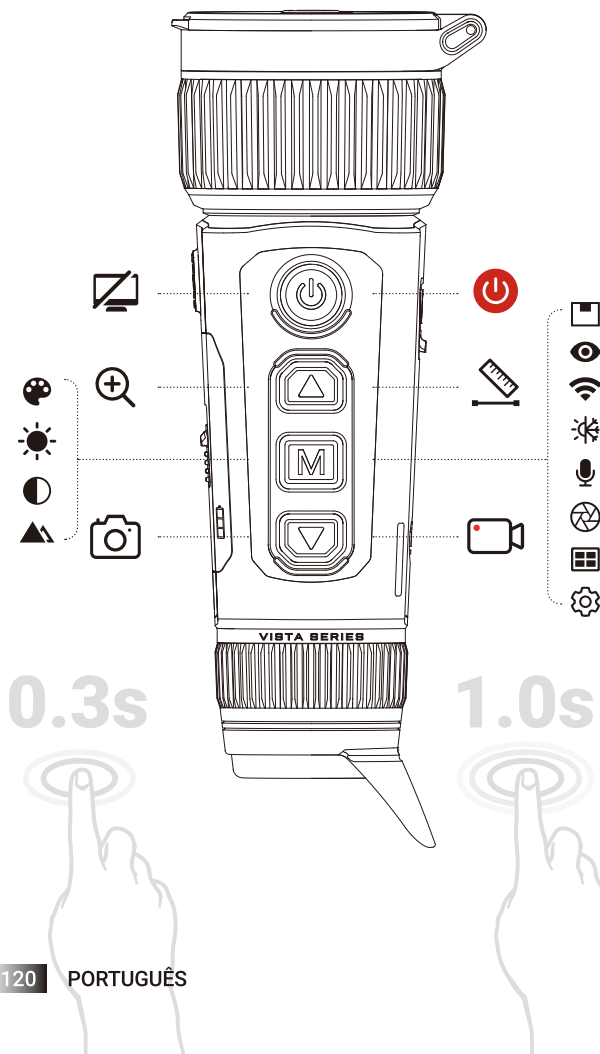


# Instalação da Bateria



# Descrição dos Botões

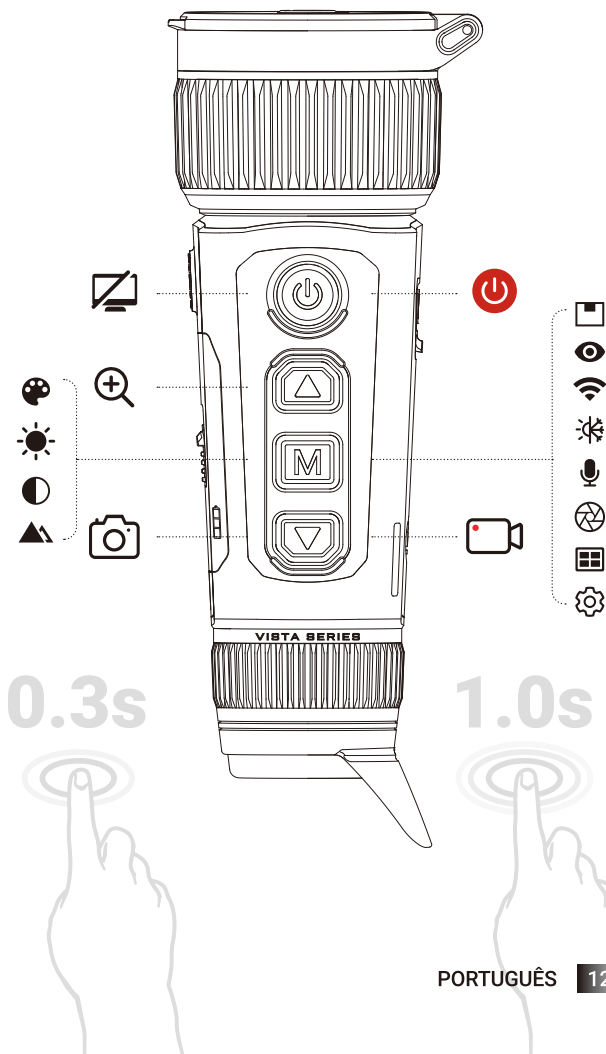
VISTA S50R / VISTA H50R / VISTA H35R





# Descrição dos Botões

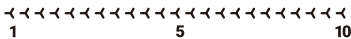
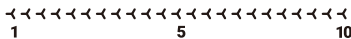
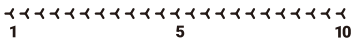
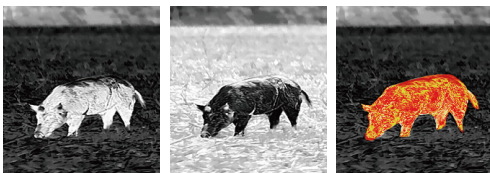
VISTA H50 / VISTA H35



# Descrição dos Botões



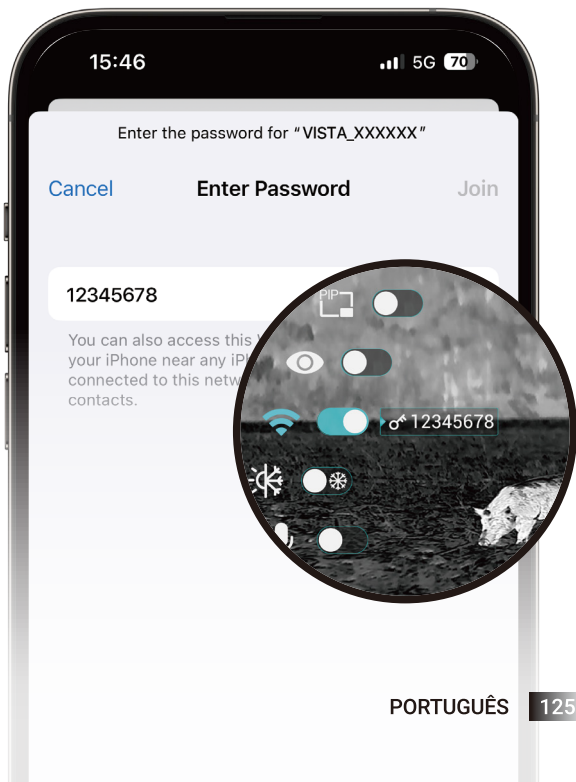
# Menu de Atalho

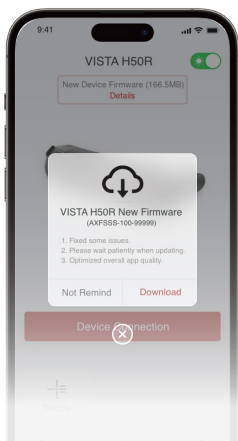


# Menu Principal

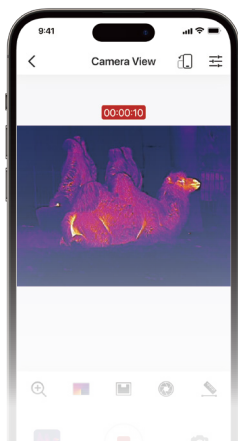


# | App

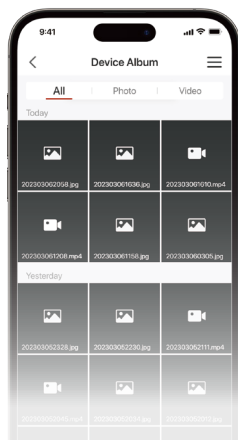




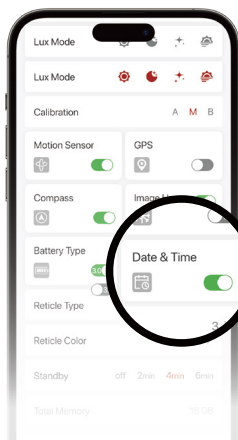
Atualização  
do firmware



Transmissão de  
imagem em tempo real



Arquivo do  
dispositivo



Calibração de  
Data e Hora

# | Especificações

Modelo	VISTA H35	VISTA H50
Resolução, Pixels	640×512,12μm	
NETD, mK	≤15	
Taxa de Quadros, Hz	60	
Lente Objetiva, mm	35 F0.9	50 F0.9
Campo de Visão (H×V), °/m a 100 m	12.5×10.0/ 22×18	8.8×7.0/ 15×12
Ampliação, x	3~28	4~40
Faixa de Detecção, m (Tamanho do alvo: 1,7 m x 0,5 m, P(n)=99%)	1800	2600
Alívio dos Olhos, mm	25	
Diâmetro da Pupila de Saída, mm	8	
Dioptria, D	-4 ~ +6	
Tela	AMOLED 2560×2560	
Tipo de Bateria	Pacote de Bateria de Íon de Lítio Substituível IBP-7/4400 mAh	
Tempo Máximo de Operação, (t=22°C) h	5.5	
MIC	Suporte	
Capacidade de Memória, GB	64	
Classificação de IP	IP67	
Temperatura Operacional, °C	-20 ~ +50	
Peso, g (com bateria)	600	630
Dimensão, mm	184×61×71	190×67×79

<b>Modelo</b>	<b>VISTA H35R</b>	<b>VISTA H50R</b>
Resolução, Pixels	640×512,12μm	
NETD, mK	≤15	
Taxa de Quadros, Hz	60	
Lente Objetiva, mm	35 F0.9	50 F0.9
Campo de Visão (H×V), °/m a 100 m	12.5×10.0/ 22×18	8.8×7.0/ 15×12
Ampliação, x	3~28	4~40
Faixa de Detecção, m (Tamanho do alvo: 1,7 m x 0,5 m, P(n)=99%)	1800	2600
Alívio dos Olhos, mm	25	
Diâmetro da Pupila de Saída, mm	8	
Dioptria, D	-4 ~ +6	
Tela	AMOLED 2560×2560	
Tipo de Bateria	Pacote de Bateria de Íon de Lítio Substituível IBP-7/4400 mAh	
Tempo Máximo de Operação, (t=22°C) h	5.5	
Classe de Segurança Para Laser	Classe 1	
LRF, m	1200	
MIC	Suporte	
Capacidade de Memória, GB	64	
Classificação de IP	IP67	
Temperatura Operacional, °C	-20 ~ +50	
Peso, g (com bateria)	640	650
Dimensão, mm	190×67×79	194×70×82



<b>Modelo</b>	<b>VISTA S50R</b>
Resolução, Pixels	1280×1024,12μm
NETD, mK	≤15
Taxa de Quadros, Hz	60
Lente Objetiva, mm	50 F0.9
Campo de Visão (H×V), °/m a 100 m	17.5×14.0/31×25
Ampliação, x	2~40
Faixa de Detecção, m (Tamanho do alvo: 1,7 m x 0,5 m, P(n)=99%)	2600
Alívio dos Olhos, mm	25
Diâmetro da Pupila de Saída, mm	8
Dioptria, D	-5 ~ +3
Tela	AMOLED 2560×2560
Tipo de Bateria	Pacote de Bateria de Íon de Lítio Substituível IBP-7/4400 mAh
Tempo Máximo de Operação, (t=22°C) h	4.5
Classe de Segurança Para Laser	Classe 1
LRF, m	1200
MIC	Suporte
Capacidade de Memória, GB	64
Classificação de IP	IP67
Temperatura Operacional, °C	-20 ~ +50
Peso, g (com bateria)	690
Dimensão, mm	201×70×82

# Obtenha Mais Informações



Site:  
[www.nocpix.com](http://www.nocpix.com)



Manual do usuário



Facebook



Instagram



YouTube





**Inlumen Technologies Co., Ltd.**

**Email:** [service@nocpix.com](mailto:service@nocpix.com)

**Web:** [www.nocpix.com](http://www.nocpix.com)

**Add.:** North 6F, Building B3, Hefei Software Park, No.800 Wangjiang West Road, Hefei National High-tech Industry Development District, Anhui, China.